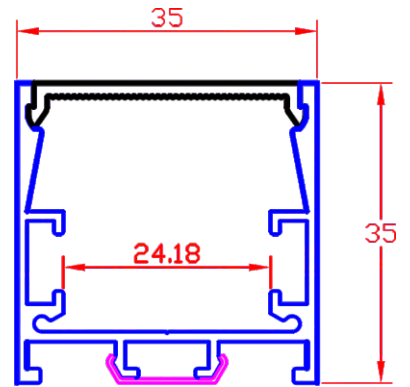
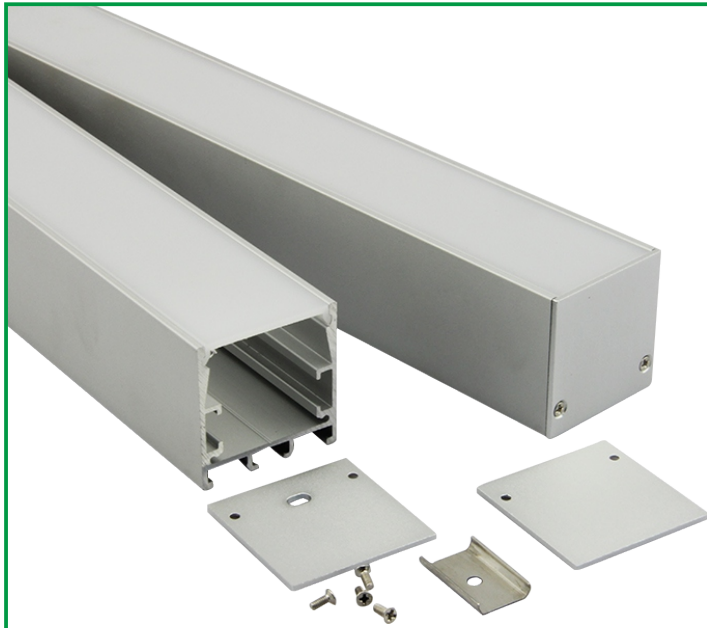
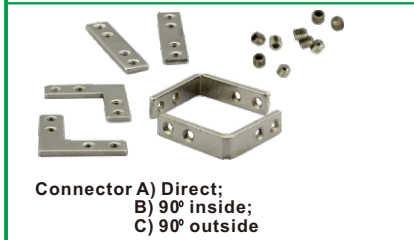
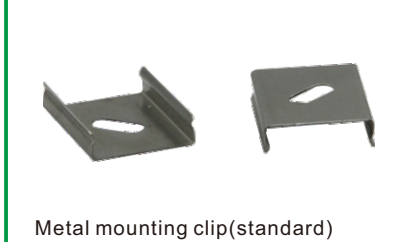
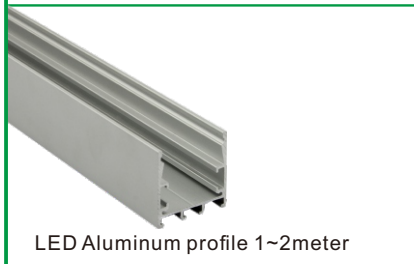


# LED Aluminum Profile-C3535

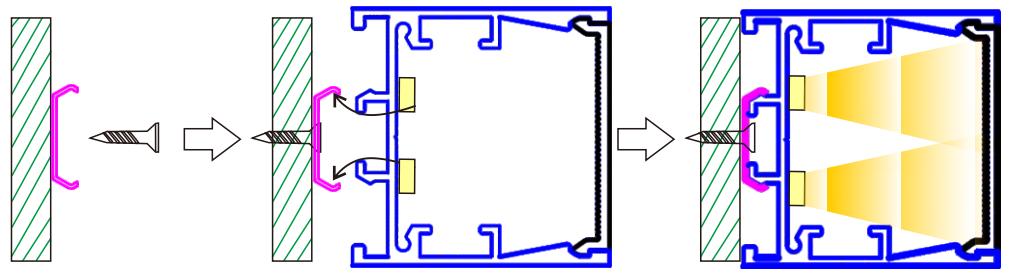


Customized Color can be ordered



## Service Environment and Installation:

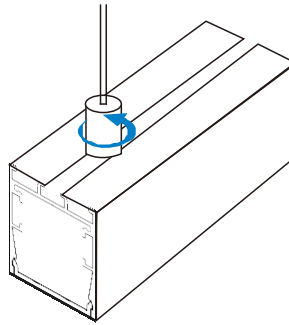
1, With clip(Standard)



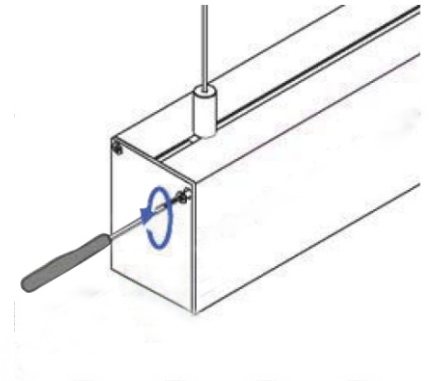
2, With Connector:



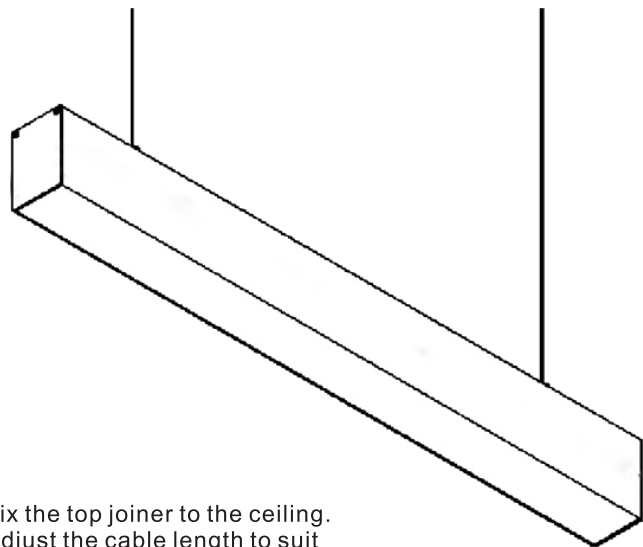
### 3, With Steel Rope



Slide the suspension kits  
bottom joiner into the alu  
base and rotate the joiner  
until locked into place



Screws the end caps



Fix the top joiner to the ceiling.  
Adjust the cable length to suit