



# **SUR-FCOB528-12V**

## **FLEXIBLE STRIP INTRODUCTION**

Product specification

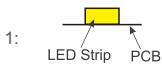
Lister:     精  奇    

Assessor:     张  明    

Approver:     李  春

## Features:

- New Flip Chip On Board Flexible LED Strip, 528 chips per meter.
- Ideal for LED lighting application to avoid multi-shadows.
- Higher heat conductivity for better thermal management.
- Provide variable and innovative array LED layout designs and combinations.
- Available in 12V DC maximum.
- Very bright & low power consumption.
- Operating temperature: -20°C to +50°C.
- Long life span LED lights, more than 50,000 hours.
- Adhesive back, peel & stick!
- All available controller or dimmers.
- Non-waterproof, IP20<sup>1</sup>.

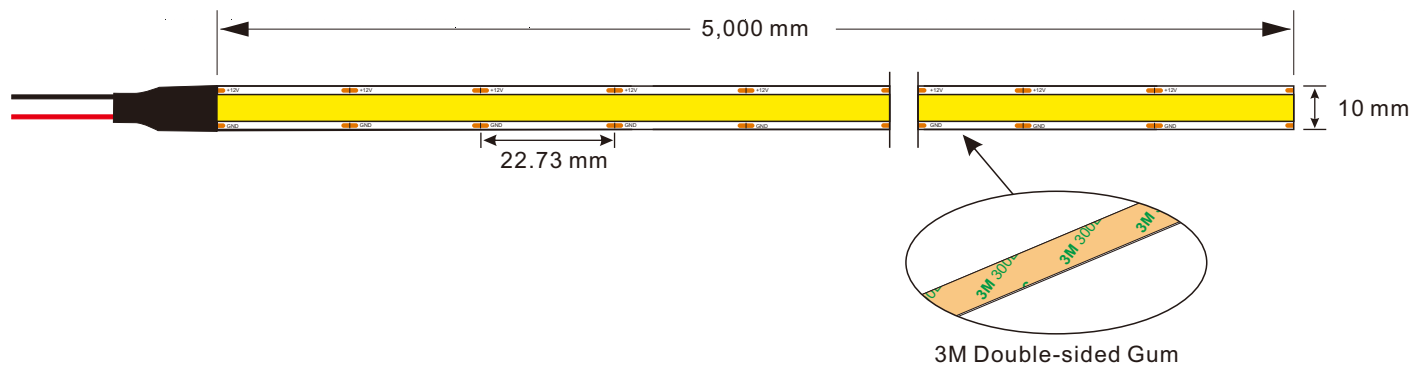


## Applications:

Ideal for sign letters and channel letters, concealed lights, room lighting, equipment.

## Assembly drawing :

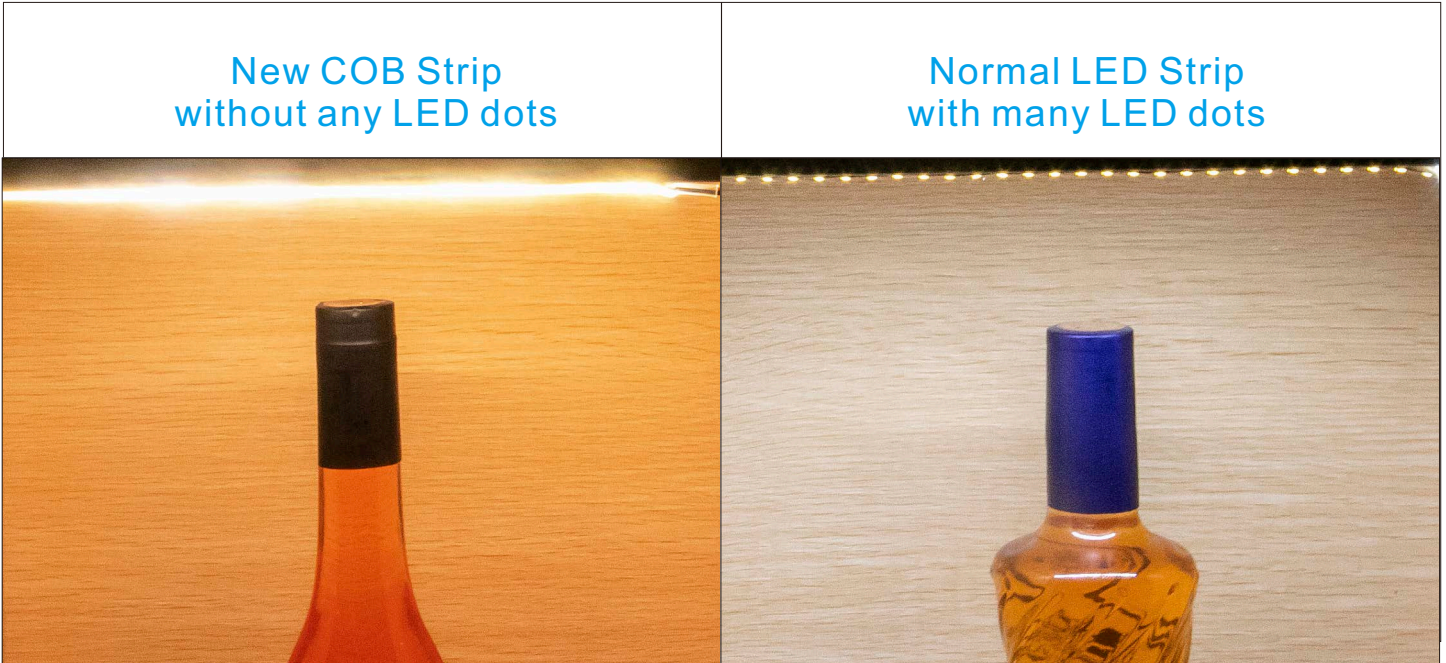
### Top View



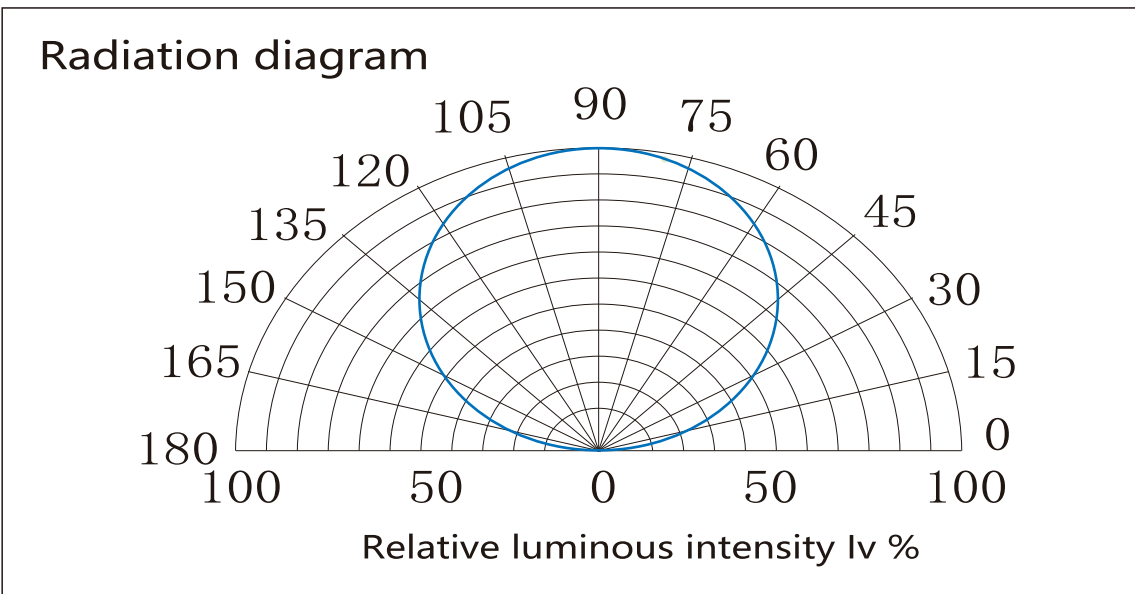
### Section



| Dropper Series: SUR-FCOB528-12V |                             |               |             |         |             |               |
|---------------------------------|-----------------------------|---------------|-------------|---------|-------------|---------------|
| Part number                     | Color                       | LED QTY/meter | Lumen/meter | Voltage | Power/meter | Packing means |
| SUR-FCOB528-12V                 | WW <input type="checkbox"/> | 528           | 1500        | DC12V   | 15W         | 5 meters/reel |
|                                 | NW <input type="checkbox"/> |               | 1575        |         |             |               |
|                                 | CW <input type="checkbox"/> |               | 1650        |         |             |               |

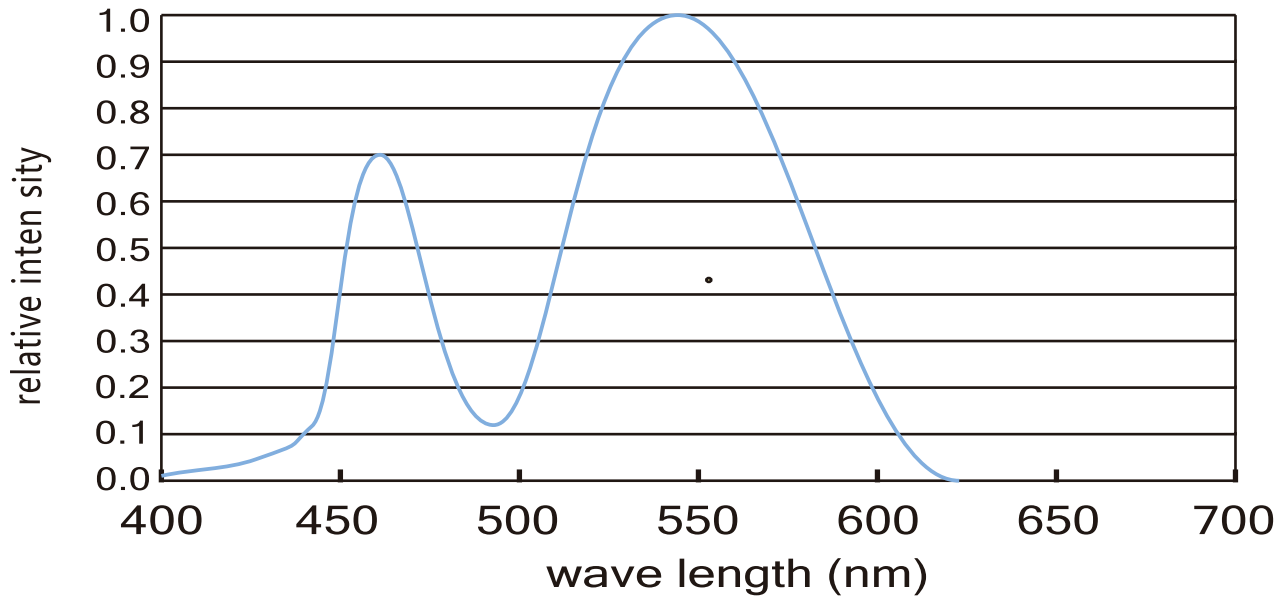


## LED Light distribution



## Color spectrum (CRI80+)

For: white LED



## Package:



5 meters/reel



1 reel/bag



Outer box  
size:34x52x27cm

25 Bags/Inner Box



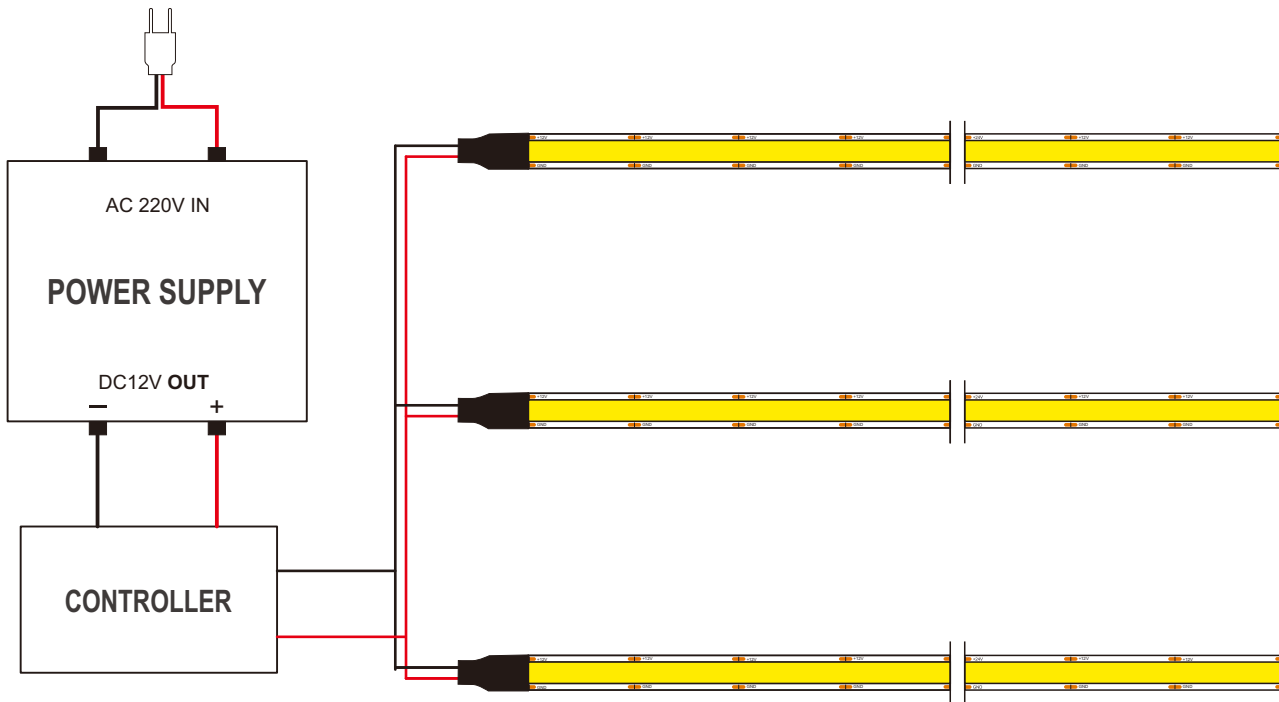
Outer box  
size:34x52x27cm

50 Bags/Outer Box

**Package:** 5 meters strip in one reel, one reel in one anti-static bag, 25 bags put into one carton, 2 inner boxes put into 1 carton .

## How to connect flexible strip:

Below shows you how to connect the flexible strip to power supplies



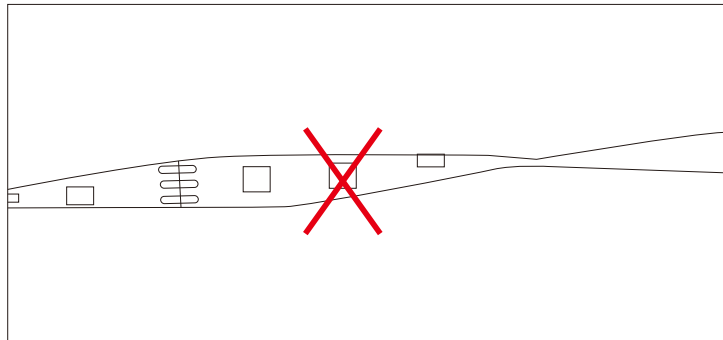
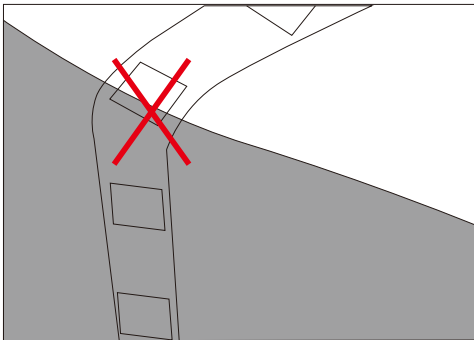
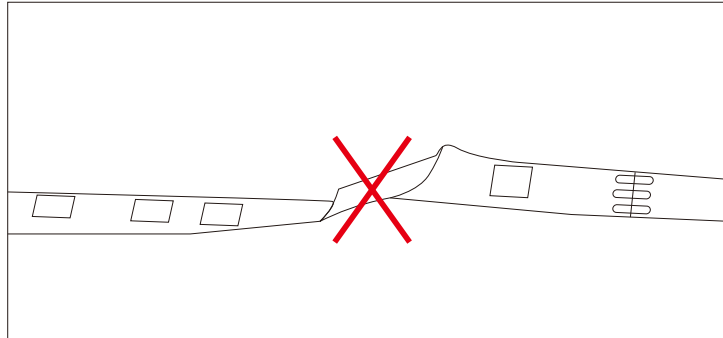
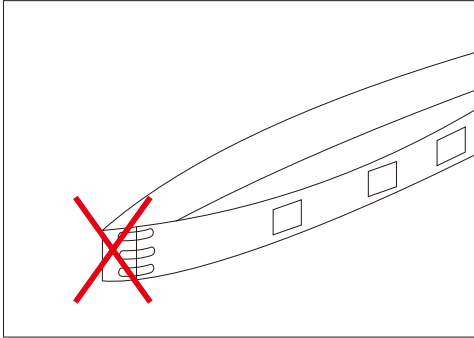
### Note:

- Please note that, the LED strips should not be used in sealed or hot place, to make sure the heat dispersion is good for the LEDs.
- Each flexible strip with a total length of the series can not be more than 5 meters.
- Flexible strip with all of the total power can not exceed 90% of the power switching power supply.

 **Cautions:**

When install the led strip, please note the installation technique. The led strip can be bent, but not distorted, as shown below:

**Distortion(Wrong)**



**Bend (Right)**

