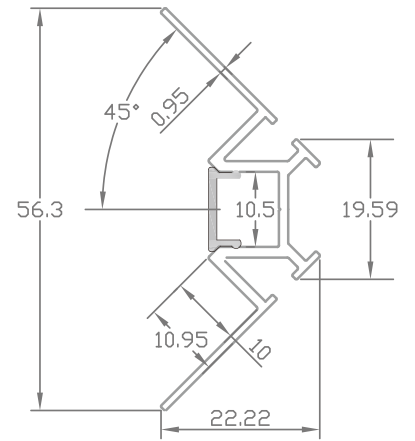
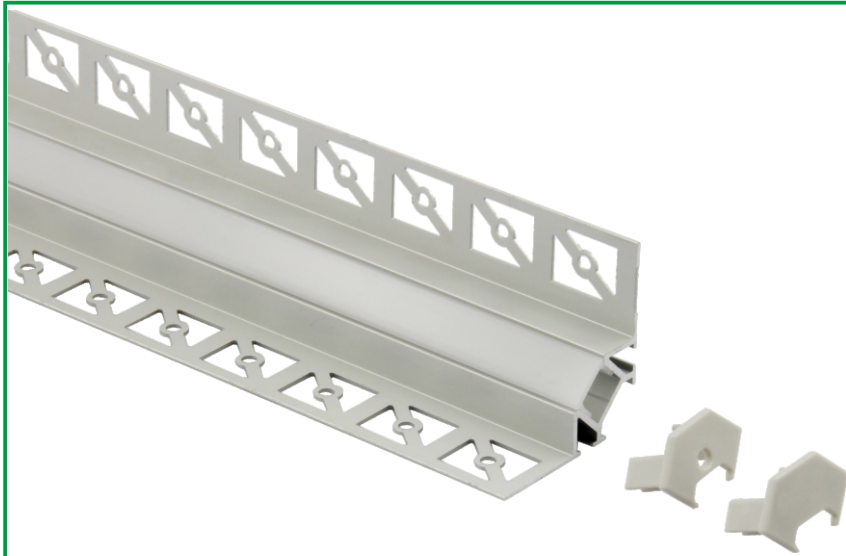
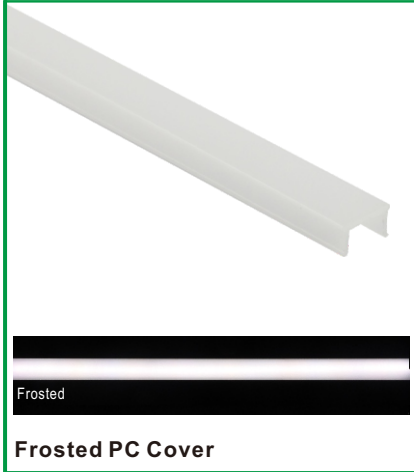


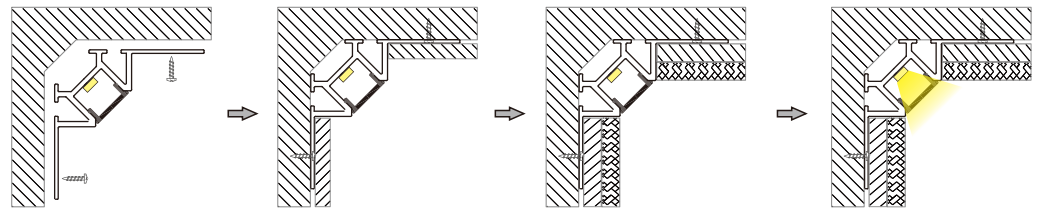
Recessed LED Aluminum Profile-W004(Plaster Construction for inner corner)



Customized Color can be ordered



Service Environment and Installation:



1, Fix W004 led profile on the rough brick with screws.

2, Lay the mud sand on the W004 wings.

3, Apply lime on the mud sand, keeping the same level with LED profile PC cover.

4, Turn on the light.

