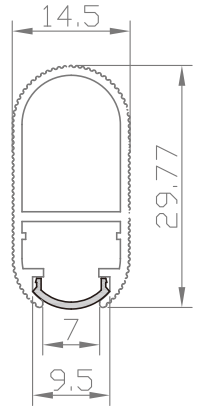


LED Aluminum Profile-R003



Customized Color can be ordered



LED Aluminum profile 1~3meter



PC Cover

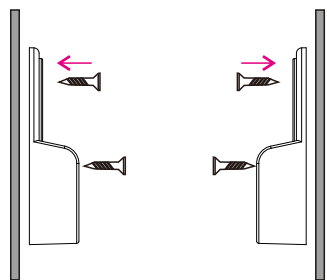


Endcap (optional)



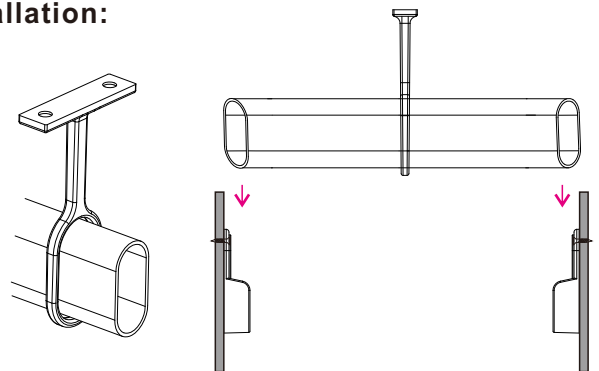
HB hanging bracket(optional)

Service Environment and Installation:



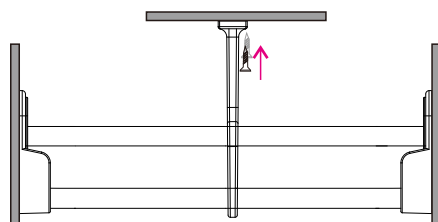
Step 1

Fix the end caps to wardrobe/closet with M3*16 screws.



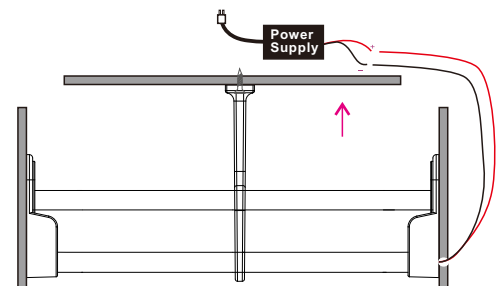
Step 2

Put LED profile R003 through the hanging bracket, and then fix both the side in the metal endcaps.



Step 3

Fix the hanging bracket with M3*12 screws.
(P.S.: We suggest that each 50cm length should use 1PC hanging bracket)



Step 4

Connect power supply.

