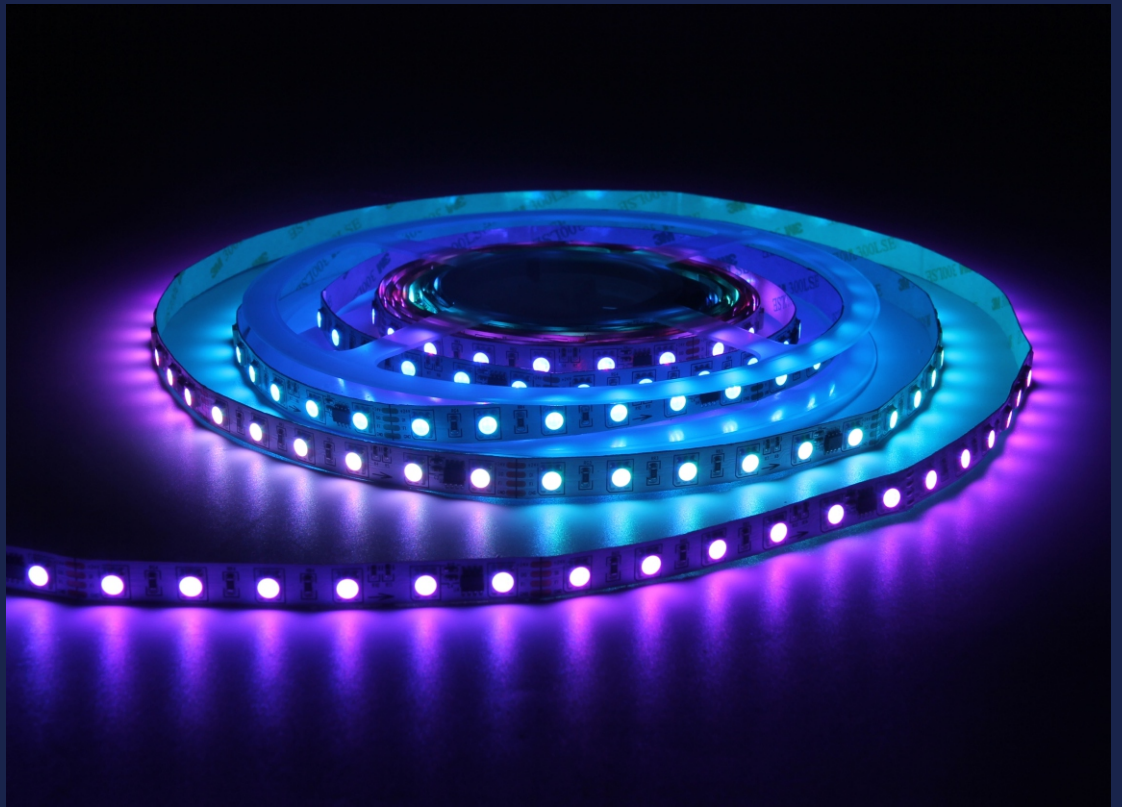




# *SurMountor*



**SUR-5050FRGB+IC60-24V**

FLEXIBLE STRIP introduction

Product specification

Lister: Lxlan

Assessor: 

Approver: 

## Features:

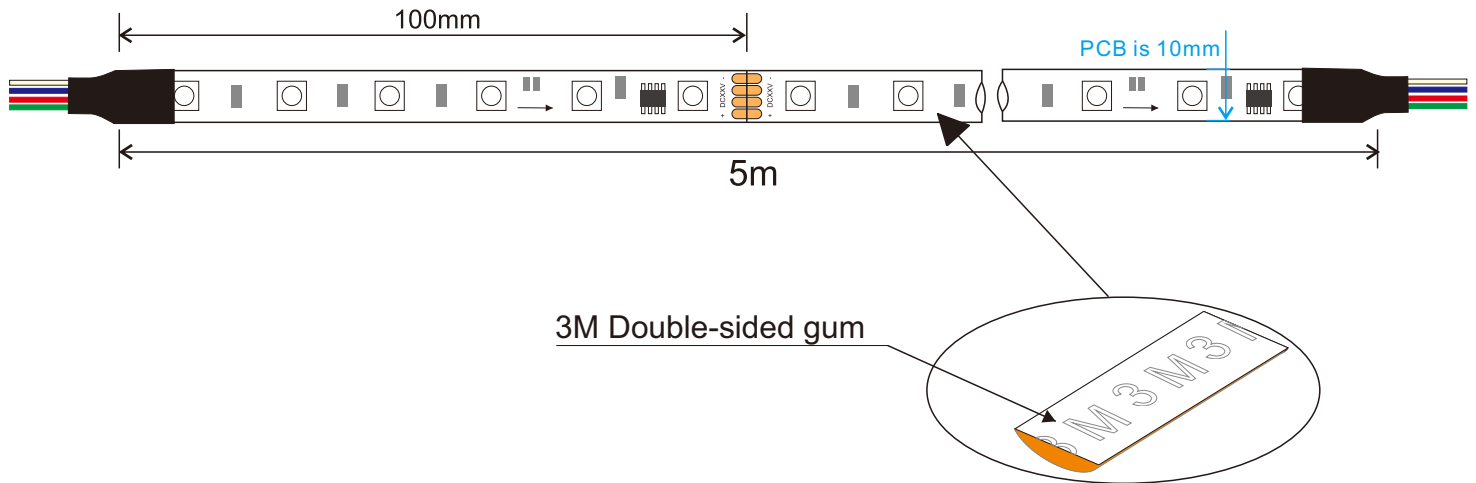
- Each 6 LEDs has a address IC and is programmable
- SPI LED strip with controller..
- Available in 24V DC maximum. **One power supply can drive 10 meters long .**
- Very bright & low power consumption.
- Operating temperature: -20~50°C.
- Store Temperature:-30~80°C
- View Angle: 120 degrees.
- Long life span LED lights, more than 50,000 hours+.
- Adhesive back, peel & stick!
- IP20 Non-Waterproof.

## Applications:

Ideal for sign letters and channel letters, concealed lights, room lighting, equipment.

## Assembly drawing

### Top View



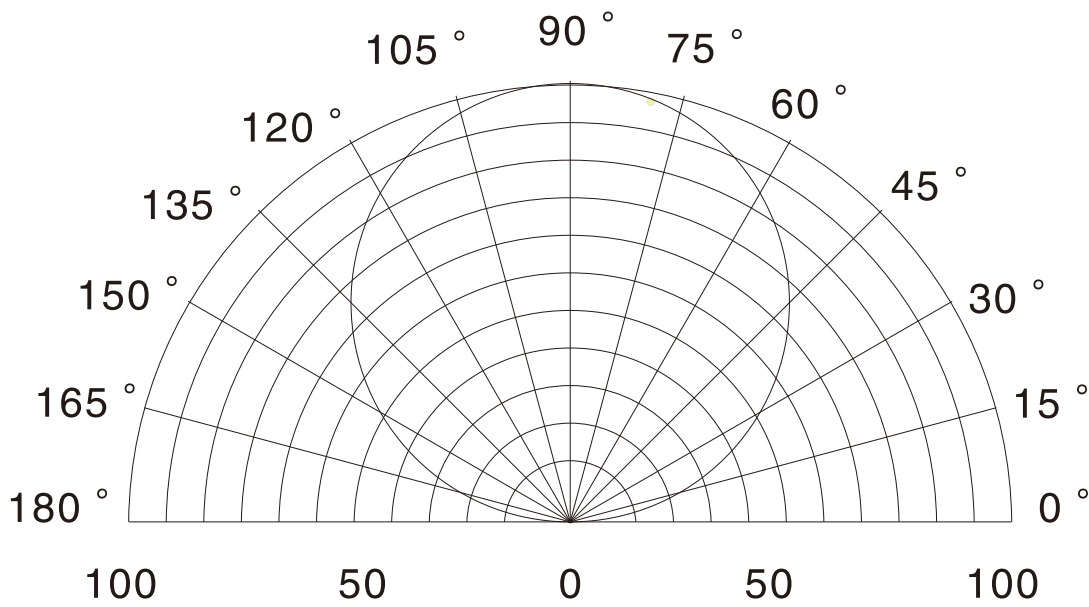
### Section



## Parameter:

SMD 5050, 60 LED/meter								
Part Number	Size	Color	Cut every (LEDS)	Inlay IC	Lumen/M	Voltage	Power/m	Packing/m
SUR-5050FRGB+IC60-24V	L5000*W10*H3	Red <span style="color:red">■</span>	6	TM1914A	95	24V	13W	5 Meters/reel
		Green <span style="color:green">■</span>			245			
		Blue <span style="color:blue">■</span>			65			

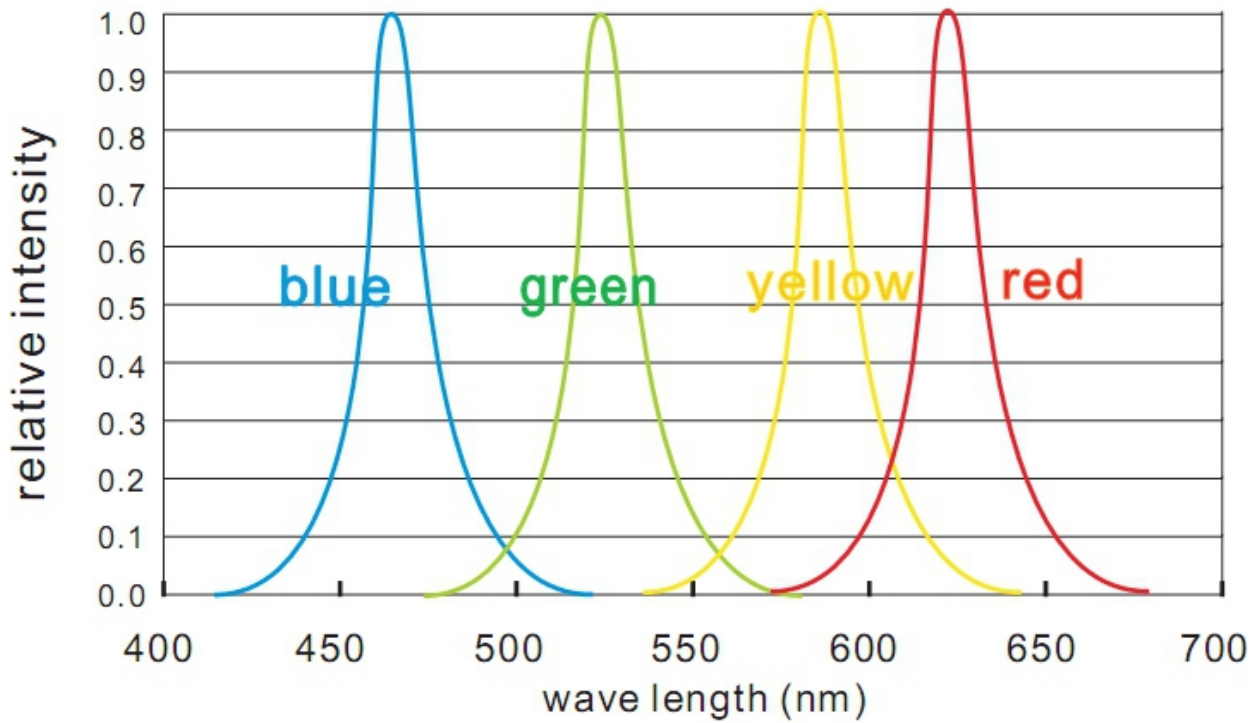
Radiation diagram



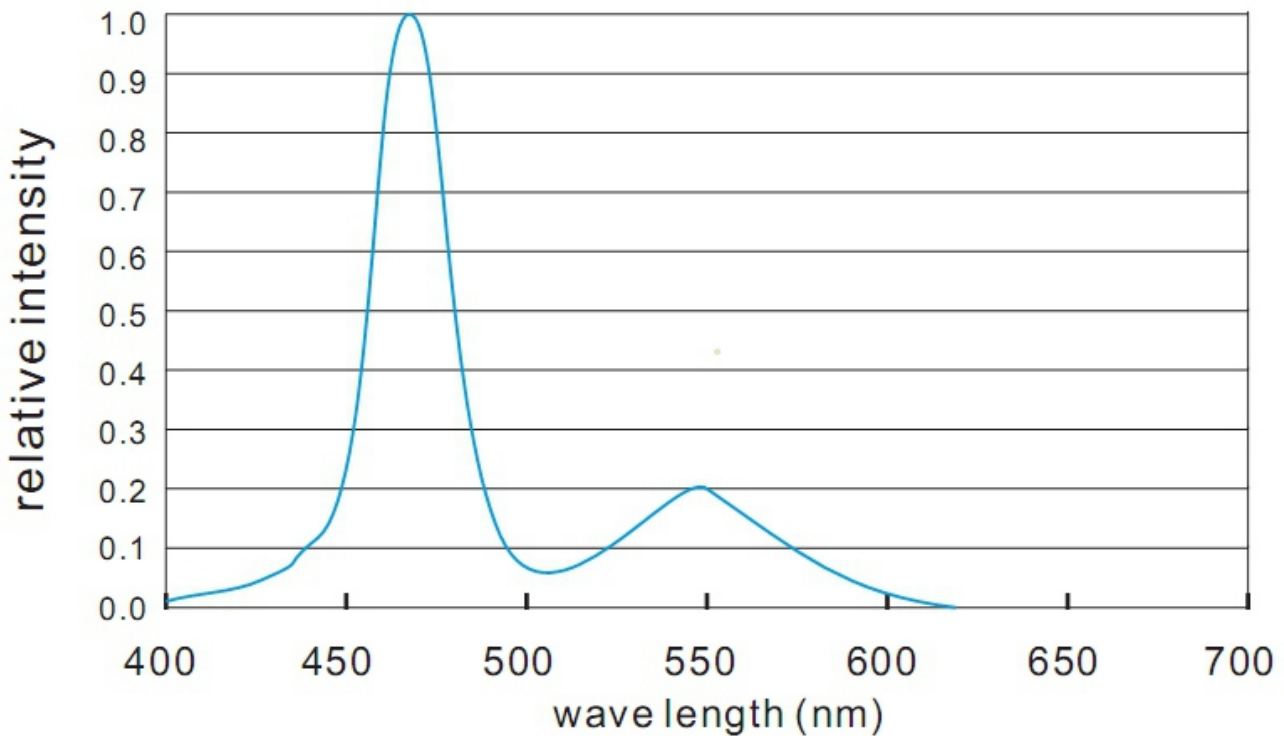
Relative luminous intensity Iv %

## LED Light distribution





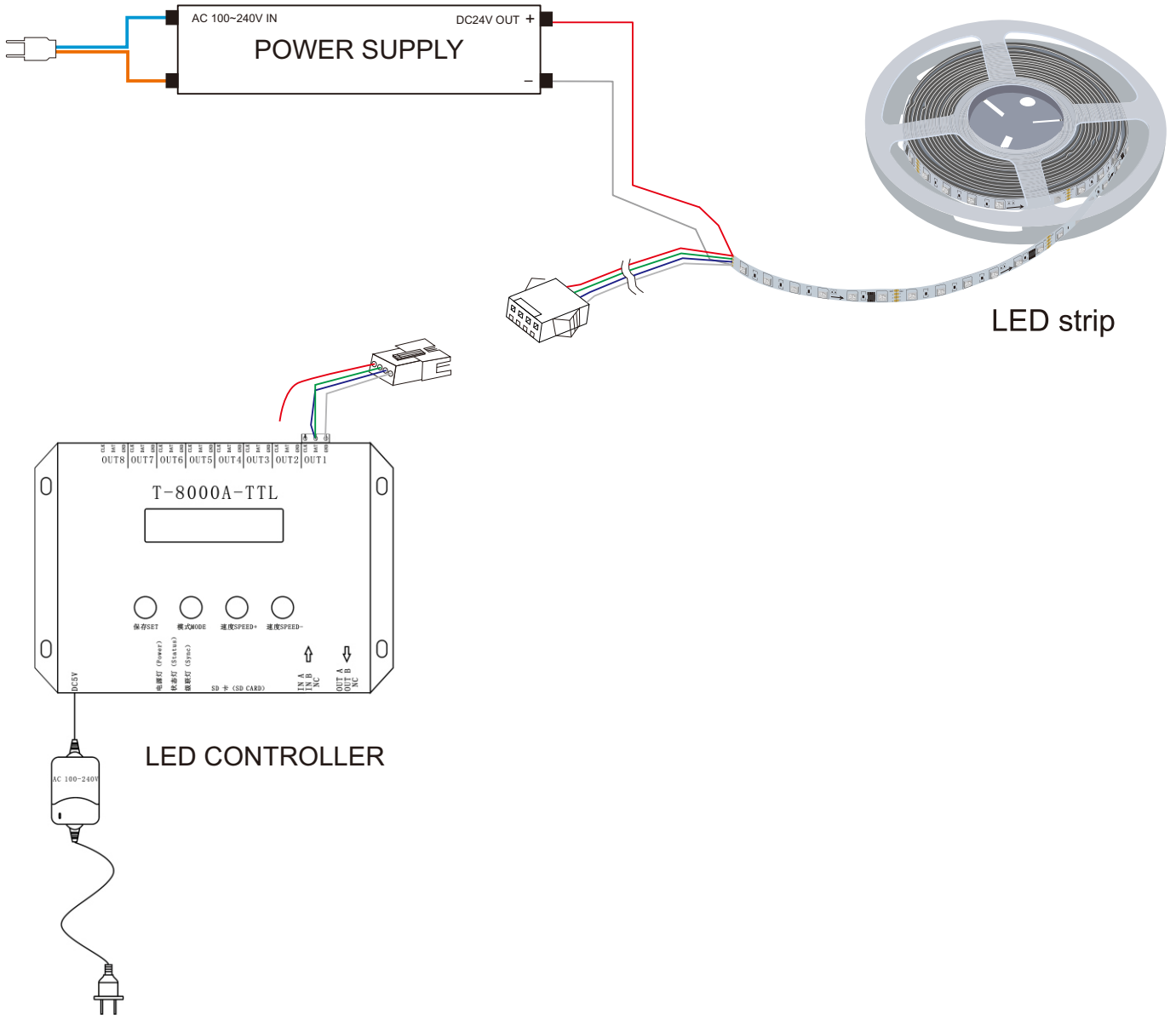
for: red, blue, green, yellow



for: white LED

# How to connect flexible strip

Below shows you how to connect the flexible strip to power supplies.



## Package:



1 reel/bag



25 bags/Inner Box

Inner box  
size:25x26x31cm



50 Bags/Outer Box

Outer box  
size:34x52x27cm

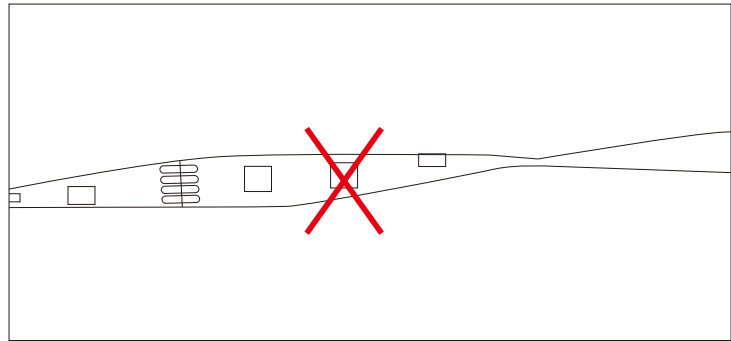
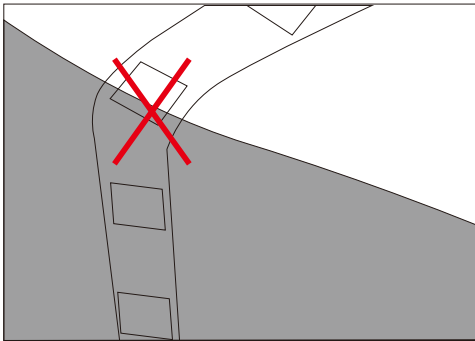
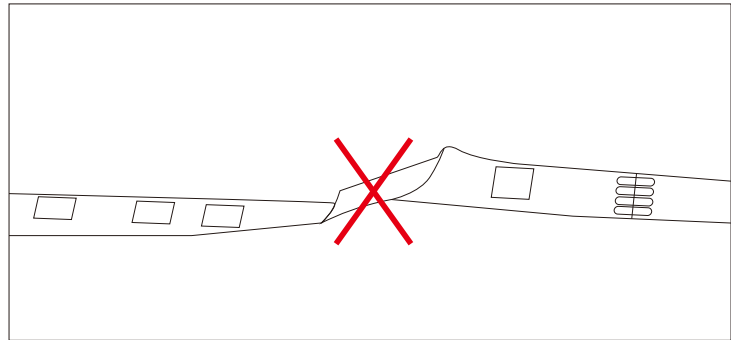
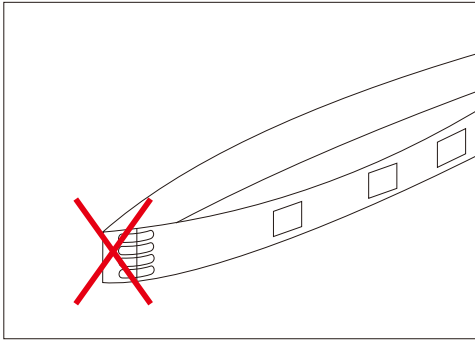


Package: 5 meter strip in one reel, one reel in one anti-static bag, 25 bags put into one carton.

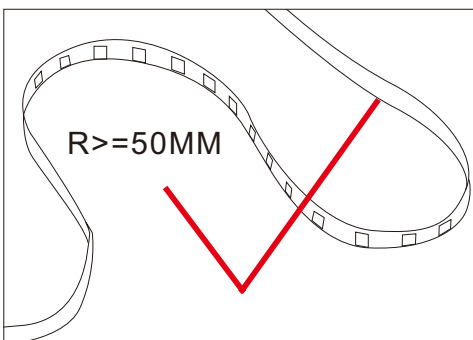


**! Cautions:**

When install the led strip, please note the installation technique. The led strip can be bent, but not distorted, as shown below:



**Distortion(Wrong)**



**Bend (Right)**