

Specification of R003E-PIR007

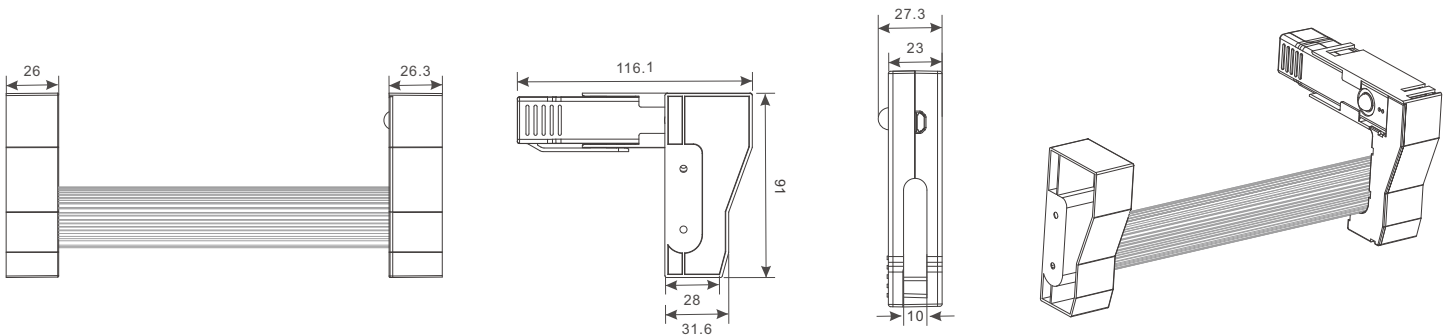
Functions:

End caps with PIR sensor switch for R003 wardrobe light.

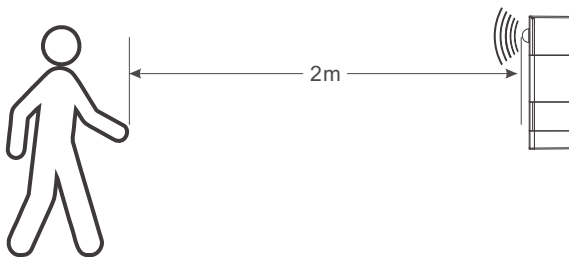
- Automatically ON/OFF.
- Input Voltage: 5V DC.
- Output Voltage: 5V DC.
- Current: 1.2A Max.
- Delay Time: About 20 seconds.



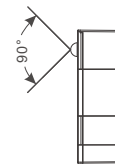
Structure and dimensions (mm):



PIR motion sensor detective distance ($\leq 2m$):



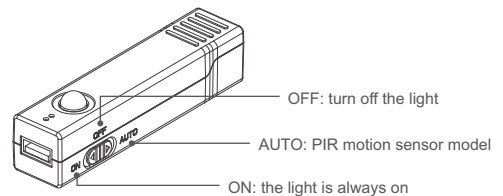
Detection angle:



About PIR007:

Three kinds of function switch: ON-OFF-AUTO

- When the product is charging, red light flashing.
- When the product is fully charged, red light is always on.
- When the product is working, blue light is always on.
- When the appliance is not enough, blue light flashes.



Operations:

- PIR sensor switch R003E-PIR007 can be assembled with R003 wardrobe LED fixtures, so R003 wardrobe light can automatically turn on when any part of human body is approaching within 2 meters from the sensor.
- The R003 wardrobe light with this PIR sensor switch PIR007 will stay on if the human body stays within 2 meters from the sensor. It will turn off in 20 seconds after human body move away more than 2 meters.

Installation Steps:



Step 1

Screw the part with PIR007 on the right side.



Step 2

The other part is screwed on the left-hand side.



Step 3

Place the PIR007 into the holder.



Step 4

Place is Okay.



Step 5

Put the lamp on the hanging hole.



Step 6

Match successfully.

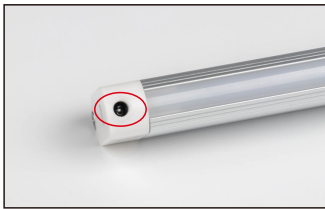


Step 7

The lamp is working.

Note: The function/program can be customized, made upon different needs, such as longer time for stay on, etc.

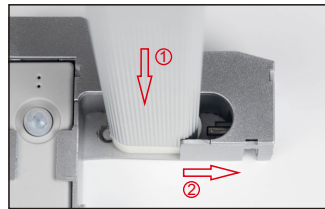
How to match it with R003:



DC hole in R003



DC plug in the holder



Push & match R003 with the holder



Match successfully

Notices:

1. Avoid being exposed to sunlight, auto bulb and incandescent lamp, neither to heat source (such as radiator and heater), or air conditioner, in case of faulty detection caused by ambient temperature change.
2. Sensor switches must be firmly installed, in case of faulty detection from wind shaking.
3. Don't touch the surface of detector.
4. Regularly clean the optical lens surface with wet soft cloth or cotton, in case of dust influence the sensitivity.