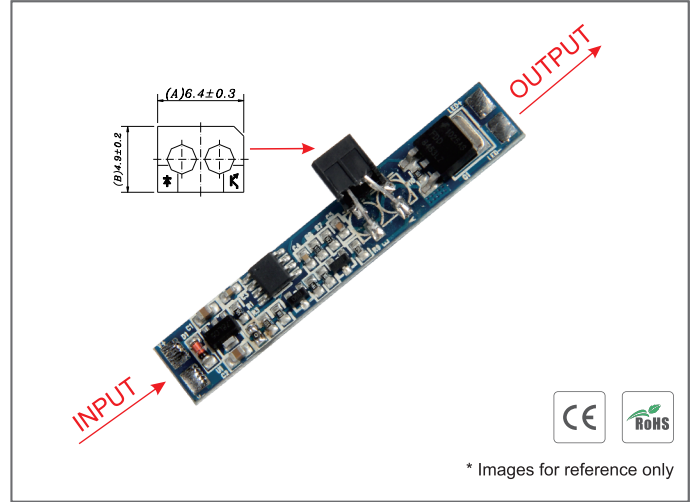


Door Sensor IR007(Internal)

Functions:

- Automatically switch ON/OFF when open/close the door.
- Input Voltage: 12V-24VDC.
- Output Voltage: 12V-24VDC.
- Input Current: 8A.
- 0.5cm ≤ Detection Range ≤ 10cm.
- Load around 96W for 12V, and 192W for 24V.
- Dimension: 55*10mm.

V+	--- DC input positive
V-	--- DC input negative
LED+	--- Output to LED Strip positive
LED-	--- Output to LED Strip negative

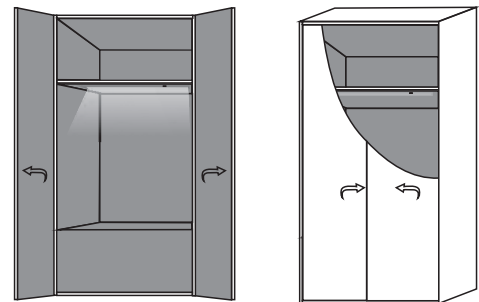
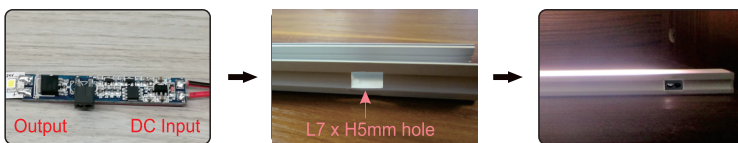


Operations:

- The LED lamp connects to the output end.
- The IR sensor switch will turn on the LED light when the door is open and will turn off the LED light when the door is closed.
- Detection range is 10cm from the sensor detector to the door.
- The sensor switch will turn on or off the LED light with above repeatable steps.

Installation Steps:

- Step 1: Cut a hole in size L7*H5mm on the side of aluminum profile.
- Step 2: Put the detector head to the hole.
- Step 3: Connect wires to the input end and output end of the control PCB.



Noted: IR detector head should face to the door.