



SurMountor



A1816 Line Light Series

Seamless connection | Quick connection

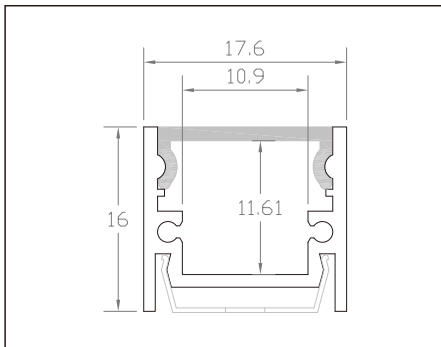
Product specification

Lister: Lxlan

Assessor: 

Approver: 

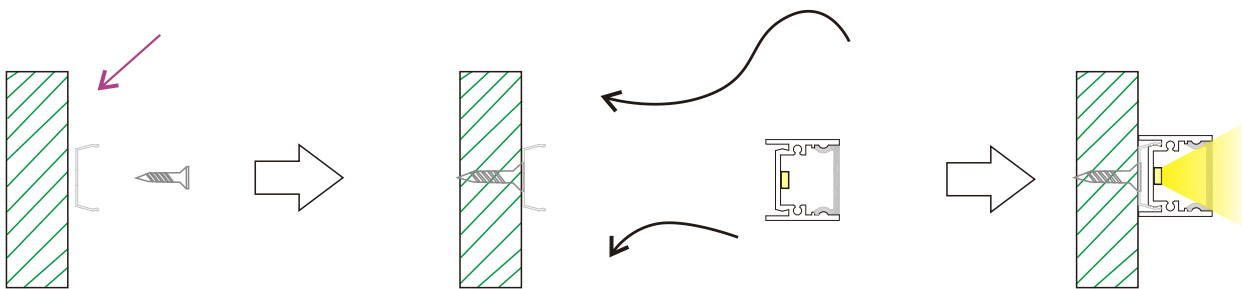
A1816 Line Light Series			With 2835 LED Rigid Strip				
Model	Power	Lumens	Ra	CCT(K)	Length	Voltage	LED Type
A1816-600MM	8.6W	700~730	>80	3000K/4000K/6000K	600MM	DC12V	SMD2835



The LED Light A1816 is easy to install to wardrobe or shelf with mounting clip accessories. With modern design, it is suitable for cabinet / furniture / room / ceiling hanging lighting etc. Substantial aluminum mass provide good heat sink for high power leds. It's perfect for seamless connection, no dark space.

How to install:

1, With clip



Accessories



Power input cable

- 1, VDE 18# cable, 8A max.
- 2, Length: 1m(cable length can be customized)



PCB connector

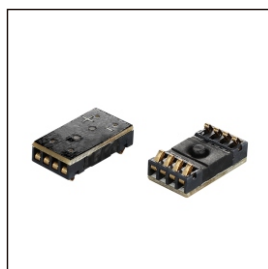
8A max.



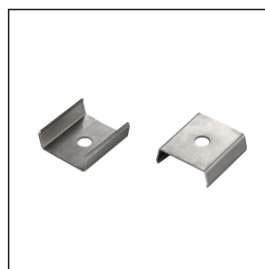
Metal mounting clip



Power input cable



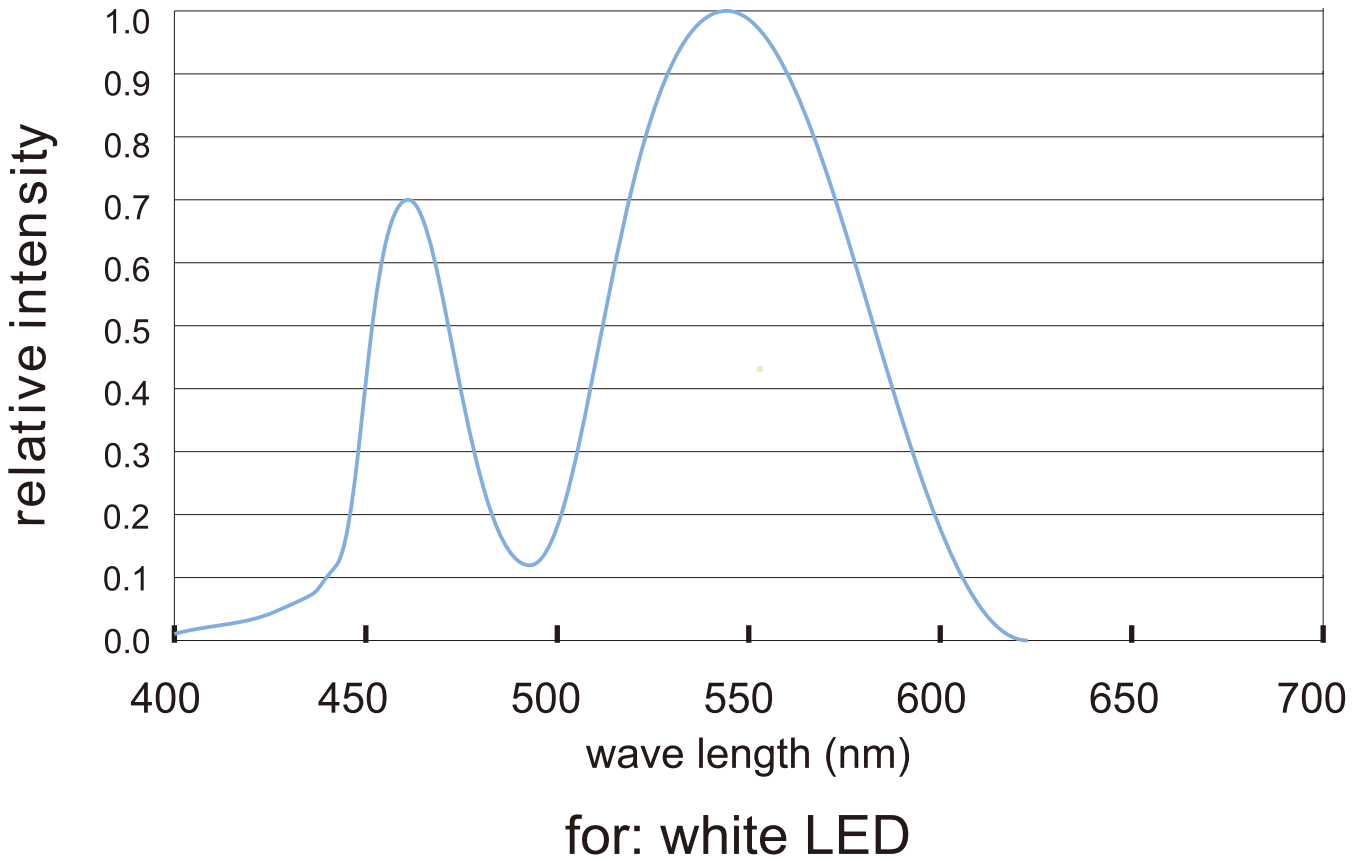
PCB connector



Metal mounting clip



**End caps+screws
1 with hole+ 1 without hole**



Radiation diagram

