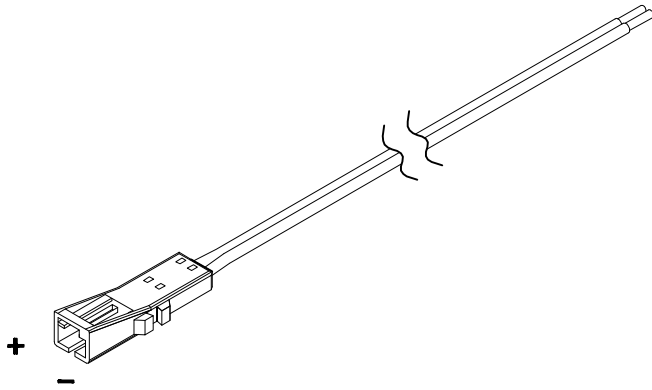


**Specifications**

- 1.Socket Material: Nylon66 UL94V-0
- 2.Socket Color: Black
- 3.Socket Temperature Range:-25°~+85°
- 4 Voltage Rating: 24V
- 5.Current Rating: 3A
- 6.Cable Material: 2x0.34mm<sup>2</sup> Black/red
- 7.Cable Temperature Range:-15°~+80°
- 8.Cable Length: 1000mm
- 9.Cable end: Tinned



Rev	Descripton/Date	Drawn By: Lxlan	Customer	Third angle projection	Units: mm						
△	2016-5-12	Checked By: [Signature]	Part No.: L815		<table border="1"> <tr> <td>x.x</td> <td>x.xx</td> <td>x.xxx</td> </tr> <tr> <td>±0.15</td> <td>±0.025</td> <td>±0.015</td> </tr> </table>	x.x	x.xx	x.xxx	±0.15	±0.025	±0.015
x.x	x.xx	x.xxx									
±0.15	±0.025	±0.015									
△		Approved By: [Signature]	Title: MINI LED Plug Socket Lead	深圳索斯特照明有限公司 Surmountor Lighting Co., Ltd							
SGS Report No.:											