

Recessed PIR Sensor HVPIR001

Functions:

- Automatically ON/OFF.
- Input Voltage: 220–240VAC.
- Power Frequency: 50Hz/60Hz.
- Load Current: 5A max (Pure resistive load).
- Power: 500W for 230V (Capacitive Load).
1000W for 230V (Pure resistive load).
- Detection Range: 10m max.
- Detection Angle: 360 degree.
- Delay Time: 10–420 seconds (Adjustable).
- Ambient Light: 2–100 lux (Adjustable).
- Light is off in day time, light is on when human body moves within detection range at night.
- This product has temperature compensation function.

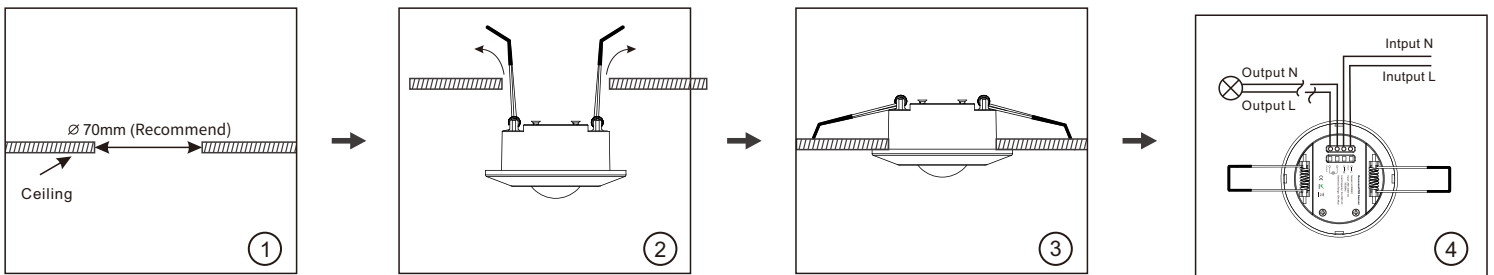


Operations:

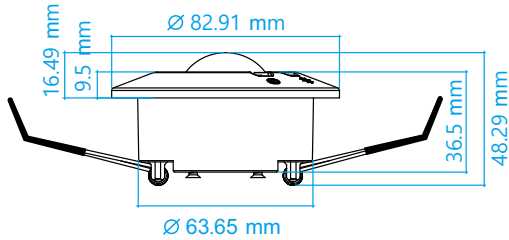
- PIR with light sensor switch HVPIR001 is to be connected with lighting fixtures.
- It would turn off the light at day time and turn on the light automatically when human pass within 10 meters at night.
- The lighting fixture equipped with HVPIR001 will stay on if the human body stays within detection range (10 meters) from the sensor at night and will turn off in 10–420 seconds after human body moves away more than 10 meters at night .
- Light sensor switch adjustable range: 2–100 lux.

Installations:

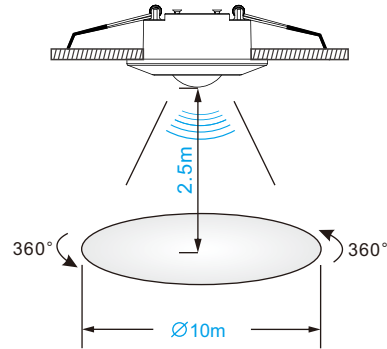
- Step 1: Drill a 70mm (Recommend) diameter hole in the ceiling.
- Step 2: Insert the sensor in the hole of the ceiling.
- Step 3: Connect the power and lamps correctly according to the picture ④.



Dimensions & detection range:



Detection Range: 10m max



Notices:

1. Avoid being exposed to sunlight, auto bulb and incandescent lamp, neither to heat source (such as radiator and heater), or air conditioner, in case of faulty detection caused by ambient temperature change.
2. Sensor switches must be firmly installed, in case of faulty detection from wind shaking.
3. Don't touch the surface of detector.
4. Regularly clean the optical lens surface with wet soft cloth or cotton, in case dust influence the sensitivity.