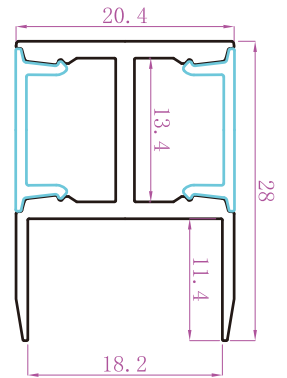
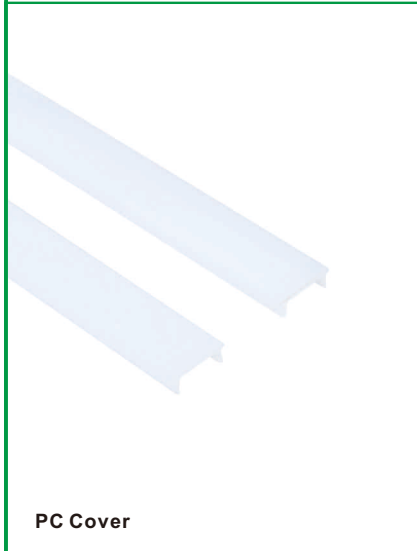


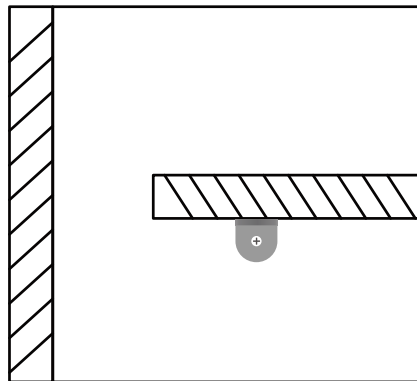
# Wooden Panel LED Aluminum Profile Up and Down-A2820



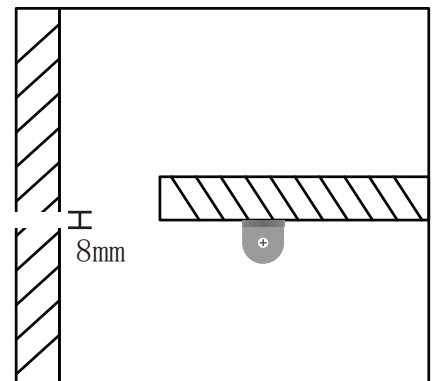
Customized Color can be ordered



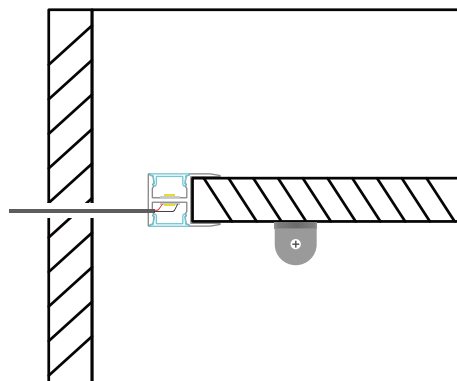
## Service Environment and Installation:



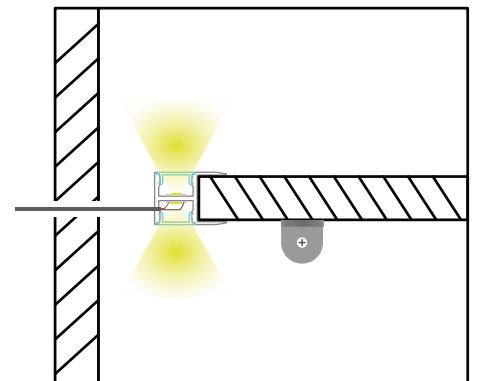
Move the wooden panel forward and fix, to reserve space for LED profile.



Drill a  $\phi 8\text{mm}$ (recommendatory) hole in the backside of the furniture, to allow power supply cable to go through.



Install LED light on the wooden panel. Connect power supply with the wooden panel LED profile.



Turn on the power and light is ON.

## Scenes to be used

