



SUR-5730FW75-12V
FLEXIBLE STRIP INTRODUCTION

Product specification

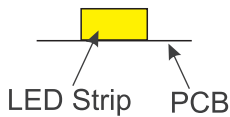
Lister: 

Assessor: 

Approver: 

Features:

- Available in 12V DC maximum.
- Very bright & low power consumption.
- Operating temperature: -20~50°C.
- Long life span LED lights, more than 50,000 hours+.
- Adhesive back, peel & stick!
- Dimmable by controller or sensor switch.
- Non-Waterproof, IP20.

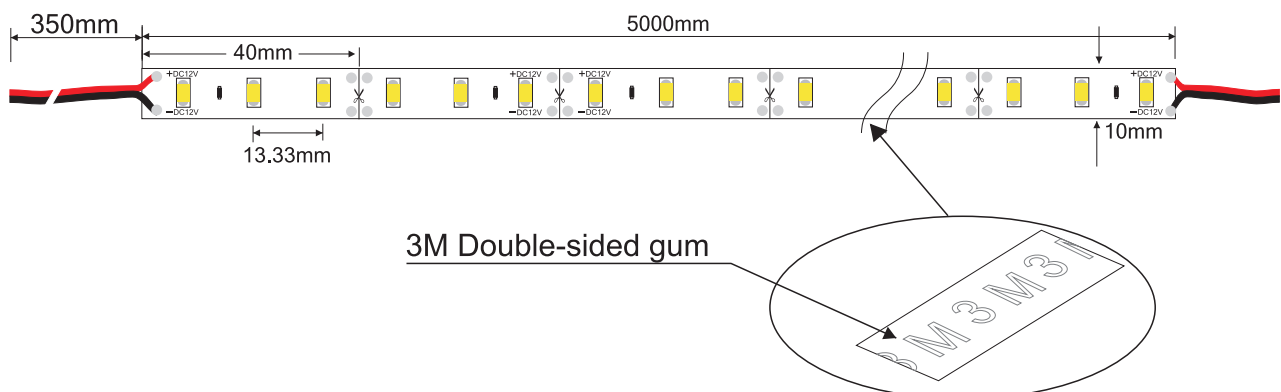


Applications:

Ideal for sign letters and channel letters, concealed lights, room lighting, equipment.

Assembly drawing:



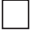
Top View



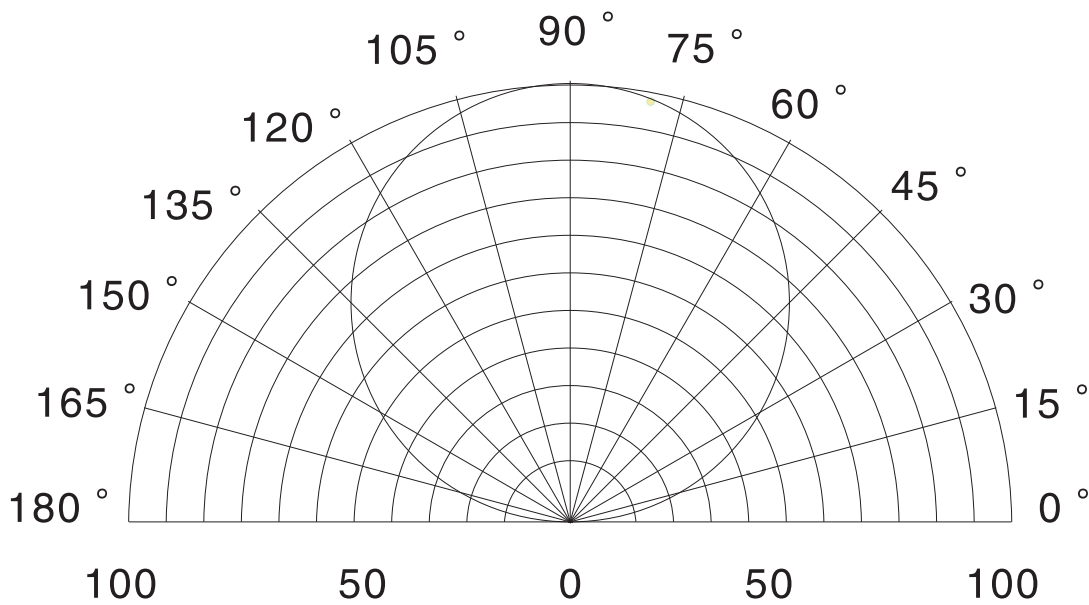
Section



Parameter:

SMD5730, 75 LEDS/M								
Part Number	Size	Color	Cut every (LEDS)	LED Qty/M	Lumen/M	Voltage	Power/m	Packing/m
SUR-5730FW75-12V	L5000*W10*H1.5	WW 	3	75	2109	12V	22.5W	5 Meters/Reel
		NW 			2600			
		CW 			2527			

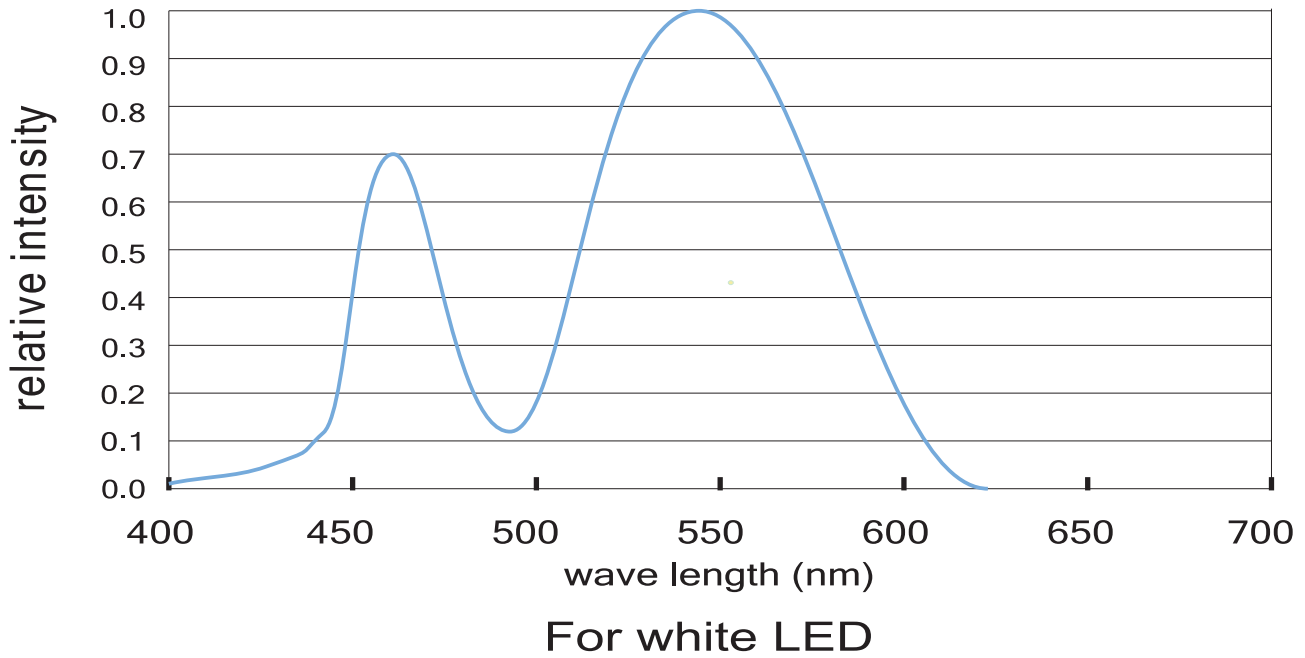
Radiation diagram



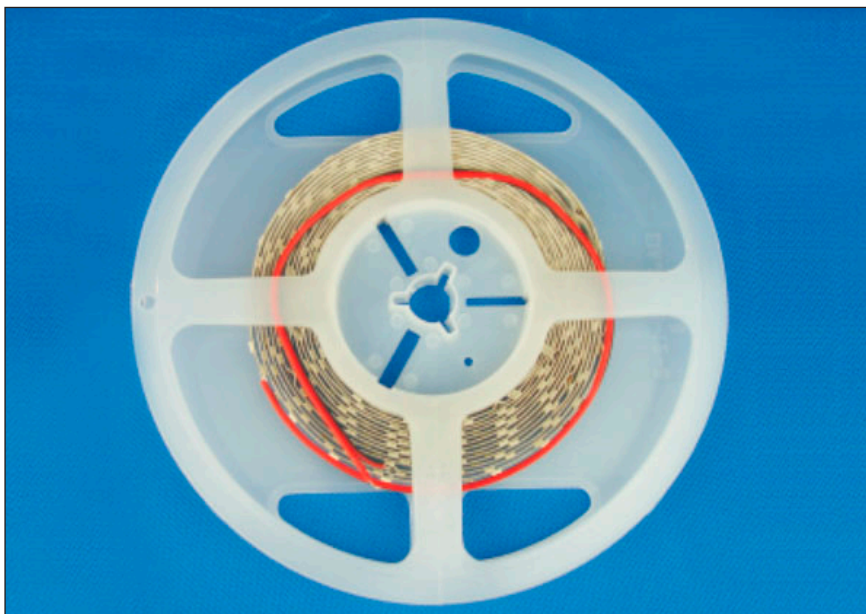
Relative luminous intensity Iv %

LED Light distribution





Package:



1 reel/bag



25 bags/Inner Box

Inner box
size:25x26x31cm



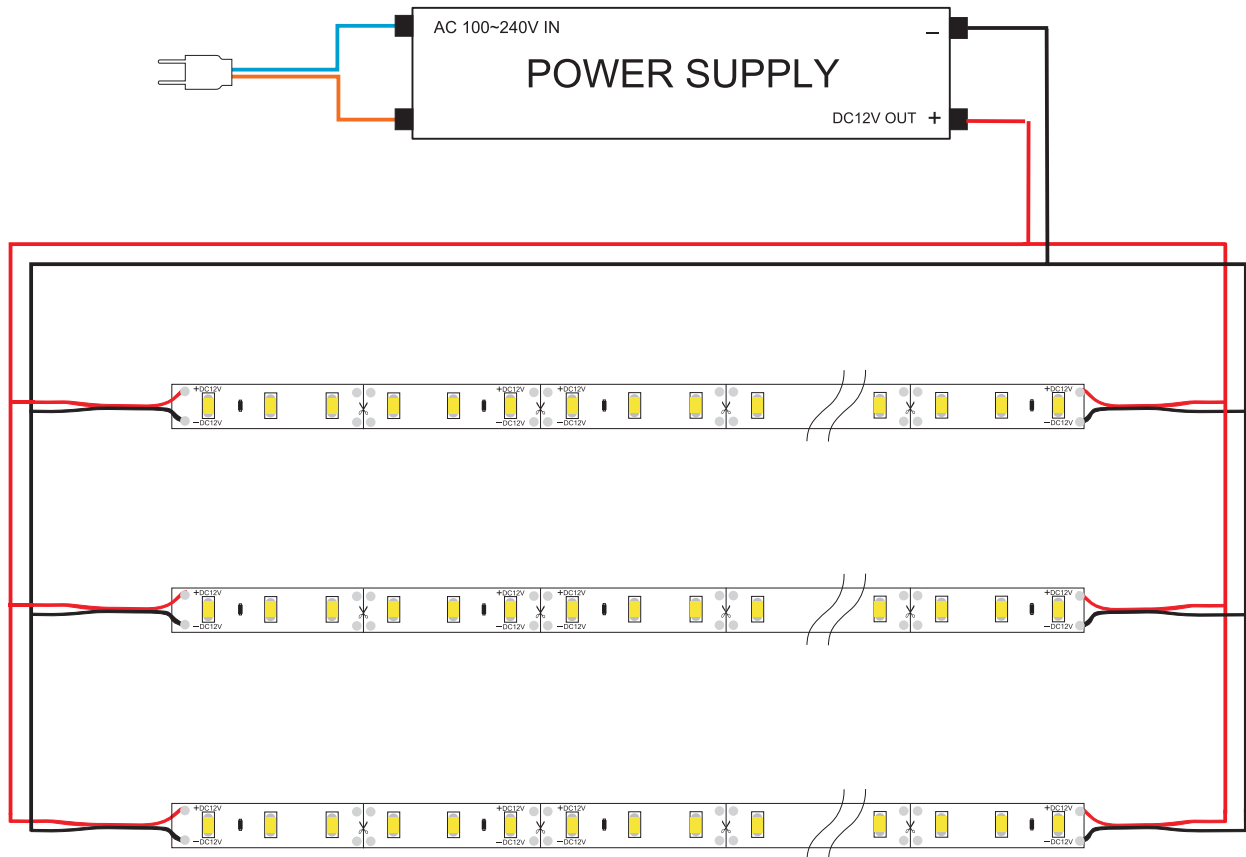
50 Bags/Outer Box

Outer box
size:34x52x27cm

Package: 5 meters strip in one reel, one reel in one anti-static bag, 25 bags put into one carton, 2 inner box put into 1 carton.

How to connect flexible strip:

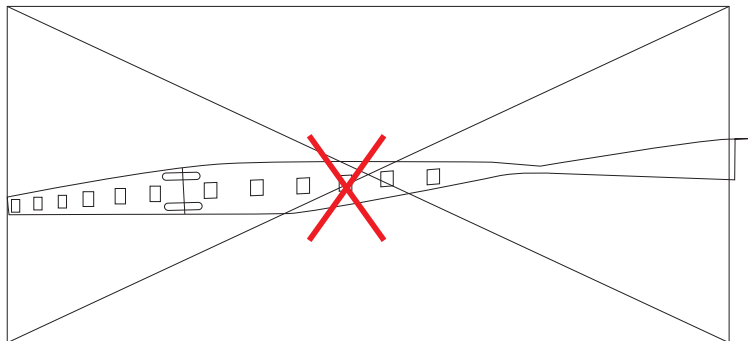
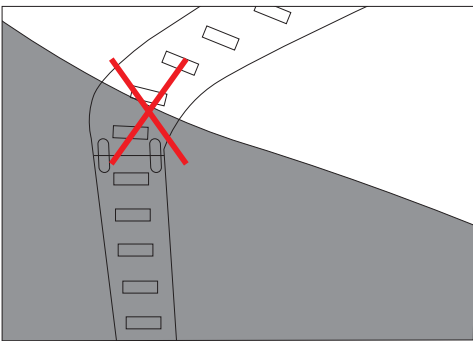
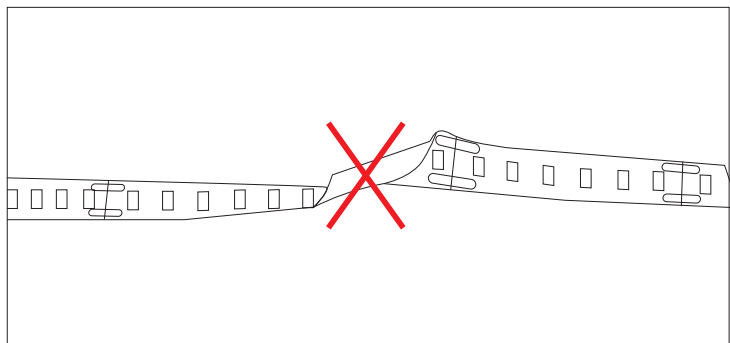
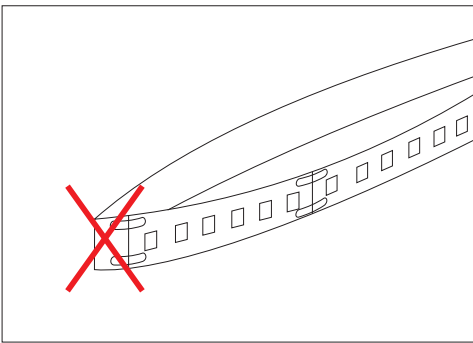
Below shows you how to connect the flexible strip to power supplies



Cautions:

When install the led strip, please note the installation technique. The led strip can be bent, but not distorted, as shown below:

Distortion(Wrong)



Bend (Right)

