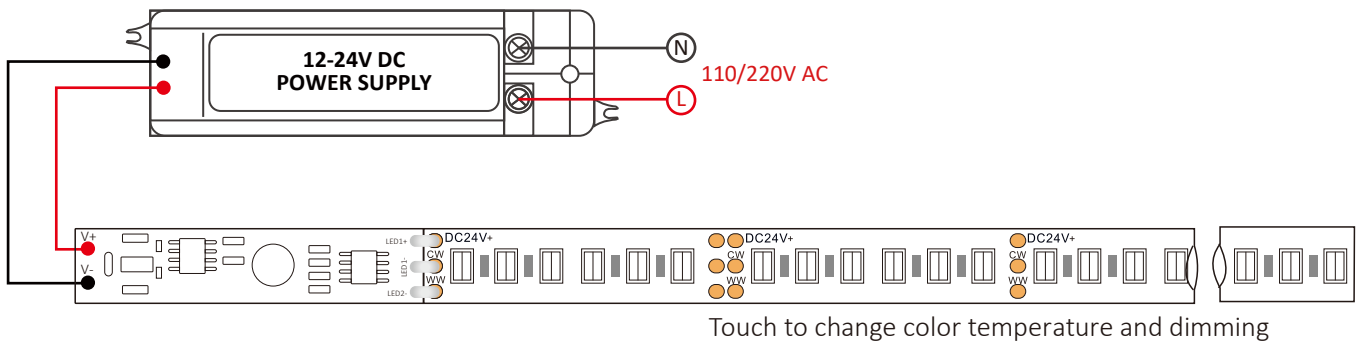


### Functions

Model	TD015
Operation	Touch to change color temperature and dimming and 0V memory
Input Voltage	12V–24V DC
Output Voltage	12V–24V DC
Input Current	Single channel : max. 4A, total max.6A
Height of Spring	20mm
Load Around	72W for 12V and 144W for 24V
Dimension	50*10mm

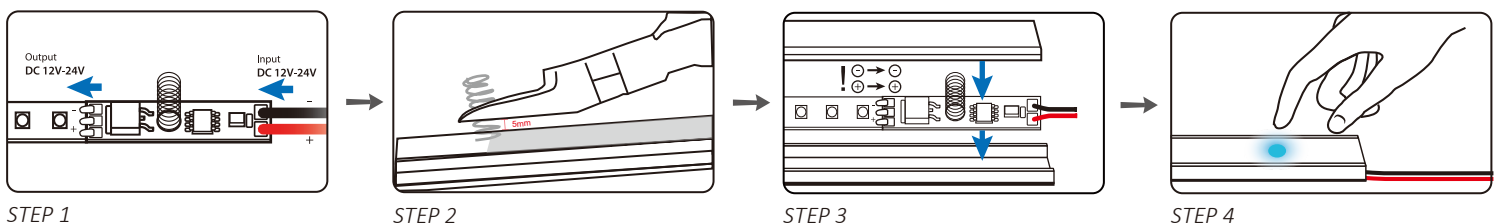
### Connection Diagram



### Operations

- The conductive spring needs to be covered by insulation material such as glass, plastic or ceramic material, thickness ≤ 3mm.
- 0V-memory touch switch performs as below:
  - When the power is turned on, the switch state and brightness of the light bar are the same as the condition of last switch off
  - First click: turn on WW; Second Click: turn on CW; Third click: turn on NW (turn on both WW and CW); click again to turn off the light, and above steps repeatable! When the light is on, touch for a long time (≥ 550ms), and the light bar can be dimming from 5% to 100%; after adjusted to the brightest or darkest, the brightness of the light strip will no longer change.
  - Hold on touching (time is above 550ms) can adjust the brightness endlessly. It will reduce the brightness endlessly to the minimum in 3 seconds holding on when the light is on. It will increase the brightness endlessly to 100% in 3 seconds holding on.
  - Quick touch and hold on touching can be chosen anytime without any collision.
  - This sensor will memorize the status of the dimming in DC0V (power off) or DC12V-24V.

### Installation Steps



**Note: The function/program can be customized, made upon different needs, such as longer time for stay on, etc.**

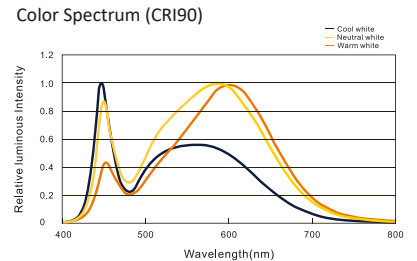
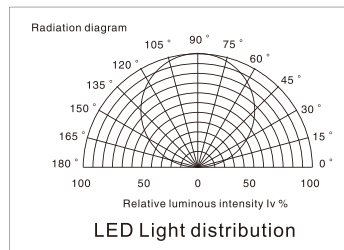
## Recommended Profiles/Optional

Model	Color	Size(mm)	Length	Drawing	Photo	Installation
A1707	White	17.4*82	1-3m			Surface mounting
A2507	Black	23.7*8.2	1-3m			Recessed mounting
F003	Aluminum	19.71*7.61	1-3m			Surface mounting

## Recommended Strips/Optional

### General description

- Available in 12/24V DC maximum
- CRI80 & CRI90 LED Strip are available
- Working temperature: -20°C to +50°C
- Very bright & low power consumption
- Long life span LED lights, more than 50,000 hours
- Adhesive back, peel & stick
- IP20, IP65, IP67 are available



### Electronic & Output Data

#### SMD3527, 120 LEDs/m

Size (mm)	Color	CRI	Photo	LED Qty/m	Lumen/m	Voltage (V)	Power (W/m)	Packing (m/reel)
L5000*W10*H2	WW + CW	80+		120	840 + 960	24	19.2	5
	WW + Blue				960 + 300			

#### SMD5025, 60 LEDs/m

Size (mm)	Color	CRI	Photo	LED Qty/m	Lumen/m	Voltage (V)	Power (W/m)	Packing (m/reel)
L5000*W10*H2	WW + CW	80+		60	720 + 810	12/24	14.4	5