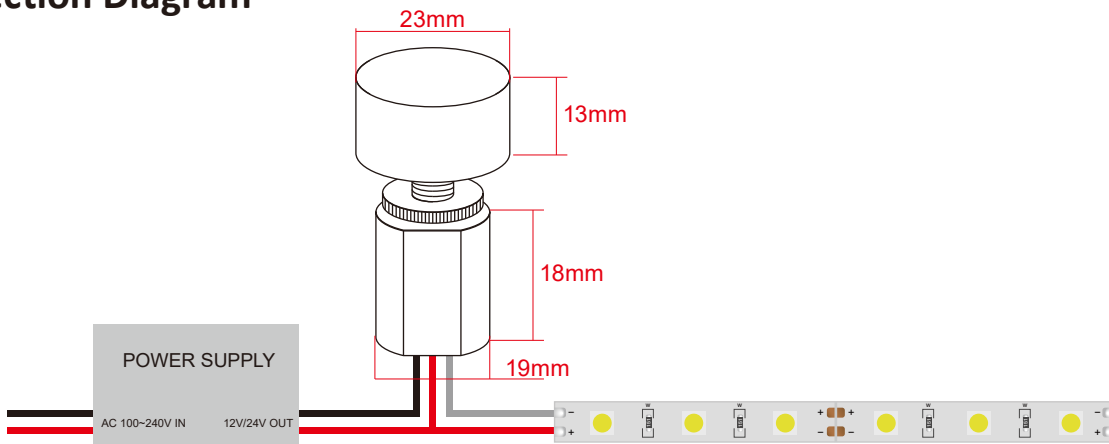


Functions

Model	BS002
Operation	ON / OFF + dimming function and 0V memory.
Input Voltage	12V-24V DC
Output Voltage	12V-24V DC
Input Current	4A
Input and output cable length	30cm (length can be ordered)
Load Around	48W for 12V, and 96W for 24V
Waterproof	IP65

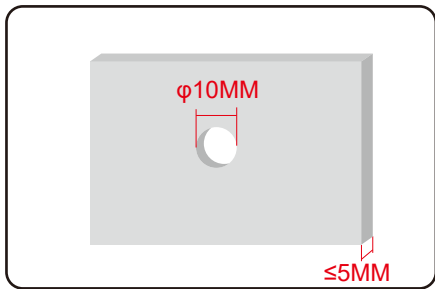
Connection Diagram



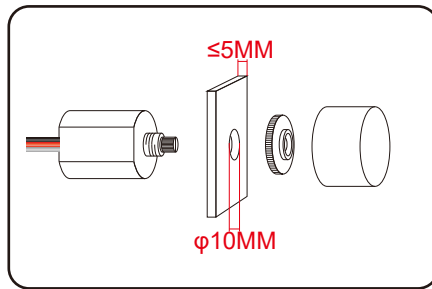
Operations

- The Knob Controller functions as follow:
 - ① The initial state is off when turn on the power.
 - ② Press the knob to switch the light ON / OFF status.
 - ③ The brightness of the led lamp can be adjusted by rotating the knob under the on state of opening (the clockwise brightness increases and the counterclock brightness decreases).
 - ④ This sensor will memorize the status of the dimming in DC0V(power off) or DC12V-24V.

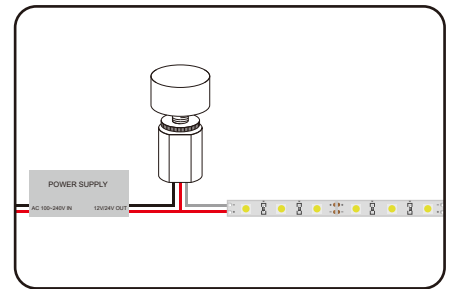
Installation Steps



Drill a 10mm diameter hole in advance on the board that requires to install the controller, and the thickness of the board cannot exceed 5mm.



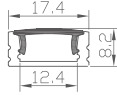

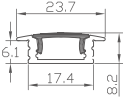

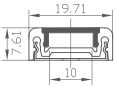

Disassemble the controller and pass through the board in the ways shown above, use a rotating nut to fix the controller, and then press the adjusting knob onto the controller metal rod.



Turn on the power supply and lamp according to the correct connection mode, and you can use it normally.

Note: Please read the tag on the wire when connecting cables; The function/program can be customized, made upon different needs.

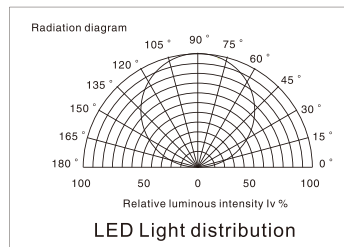
Recommended Profiles/Optional

Model	Color	Size(mm)	Length	Drawing	Photo	Installation
A1707	White	17.4*82	1-3m			Surface mounting
A2507	Black	23.7*8.2	1-3m			Recessed mounting
F003	Aluminum	19.71*7.61	1-3m			Surface mounting

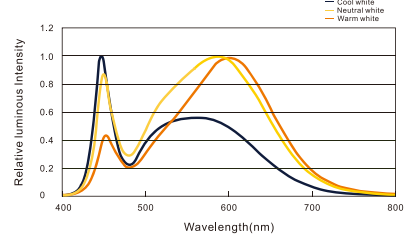
Recommended Strips/Optional

General description

- Available in 12/24V DC maximum
- CRI80 & CRI90 LED Strip are available
- Working temperature: -20°C to +50°C
- Very bright & low power consumption
- Long life span LED lights, more than 50,000 hours
- Adhesive back, peel & stick
- IP20, IP65, IP67 are available




Color Spectrum (CRI90)




Electronic & Output Data


SMD2835, 60 LEDs/m

Size (mm)	Color	CRI	Photo	LED Qty/m	Lumen/m	Voltage (V)	Power (W/m)	Packing (m/reel)
L5000*W8*H1.5	WW <input checked="" type="checkbox"/>	90+		60	1000	12/24	14.4	5
	NW <input type="checkbox"/>				1100			
	CW <input type="checkbox"/>				1200			

SMD2835, 120 LEDs/m

Size (mm)	Color	CRI	Photo	LED Qty/m	Lumen/m	Voltage (V)	Power (W/m)	Packing (m/reel)
L5000*W10*H1.5	WW <input checked="" type="checkbox"/>	90+		120	1300	12/24	14.4	5
	NW <input type="checkbox"/>				1400			
	CW <input type="checkbox"/>				1500			

SMD2110, 280 LEDs/m

Size (mm)	Color	CRI	Photo	LED Qty/m	Lumen/m	Voltage (V)	Power (W/m)	Packing (m/reel)
L5000*W10*H1.5	WW <input checked="" type="checkbox"/>	90+		280	1420	24	19.2	5
	NW <input type="checkbox"/>				1460			
	CW <input type="checkbox"/>				1510			