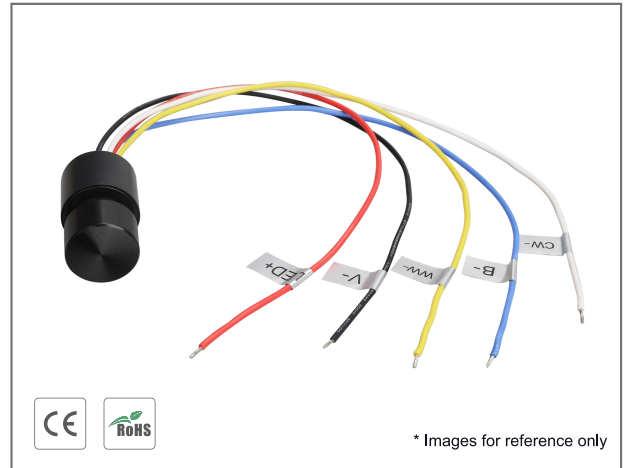


# Mini Dimmer with CCT Function

## Specification

Model	BS004
Voltage	12-24VDC
Current	3A/CH
IP Rate	IP65
Dimming grade	20
CCT Grade	61
Operation	Press, Press twice, Press it 3 times, Rotate
Color:	RGB



## Operation Instruction:

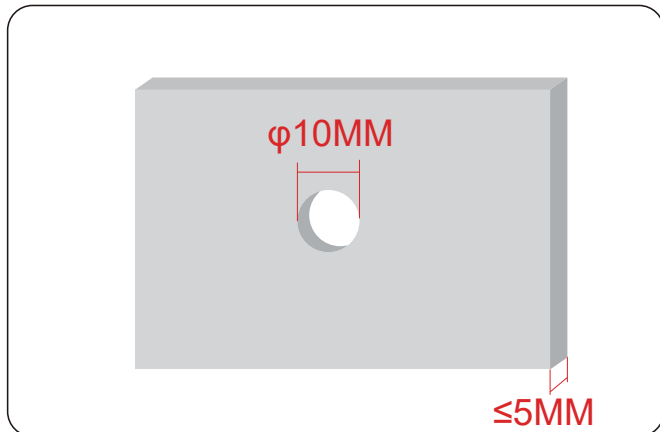
- Press the button: Turn on or turn off
- Press the button twice: Switching the function of dimming and changing color temperature
- Press it 3 times: The RGB Color changes gradually
- Rotate: Dimming or changing color temperature
- Memory Function: After 5 seconds cease of operation, it memories the current state.

## Connection Diagram:

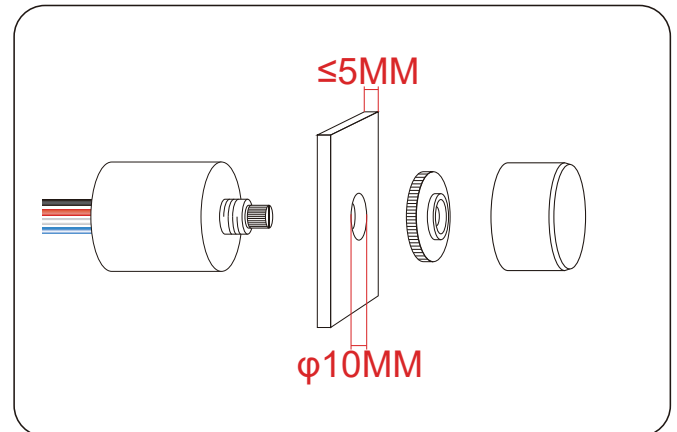


## Installation Steps:

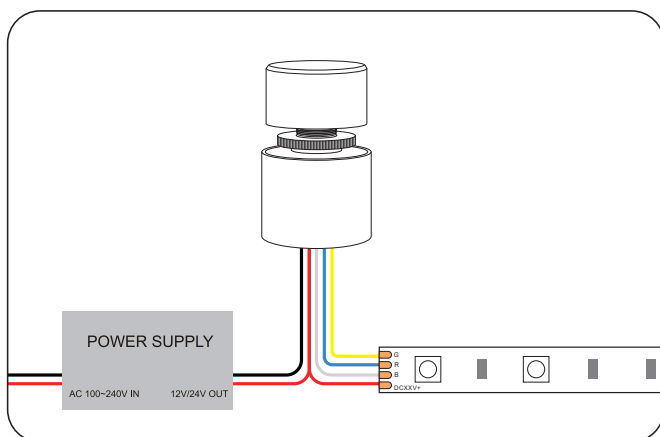
Installation Video: <https://youtu.be/iqy5PfxlNe4>



Drill a 10mm diameter hole in advance on the board that requires to install the controller, and the thickness of the board cannot exceed 5mm.



Disassemble the controller and pass through the board in the ways shown above, use a rotating nut to fix the controller, and then press the adjusting knob onto the controller metal rod.



Turn on the power supply and lamp according to the correct connection mode, and you can use it normally.