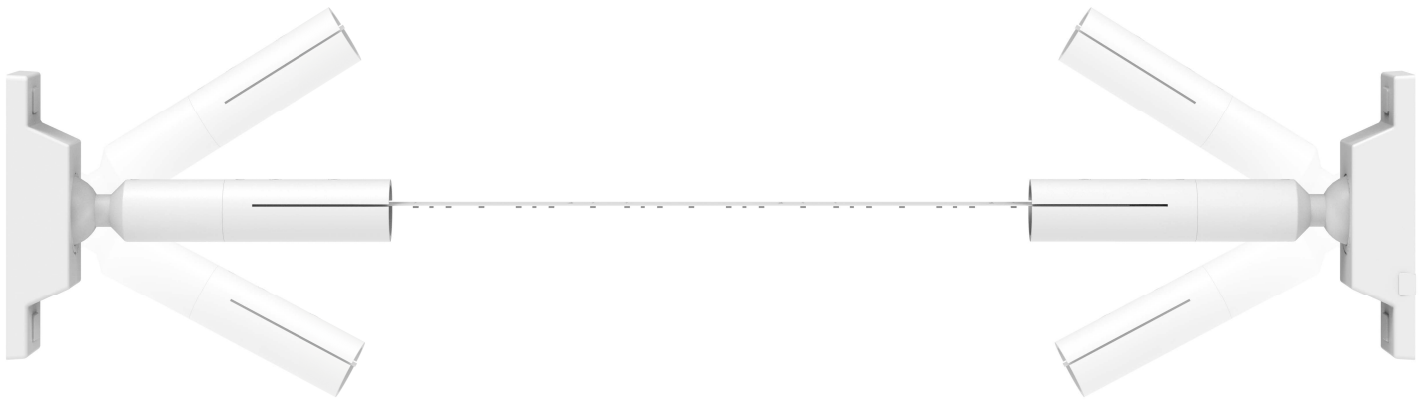




STARLINE-H

LINEAR LIGHT

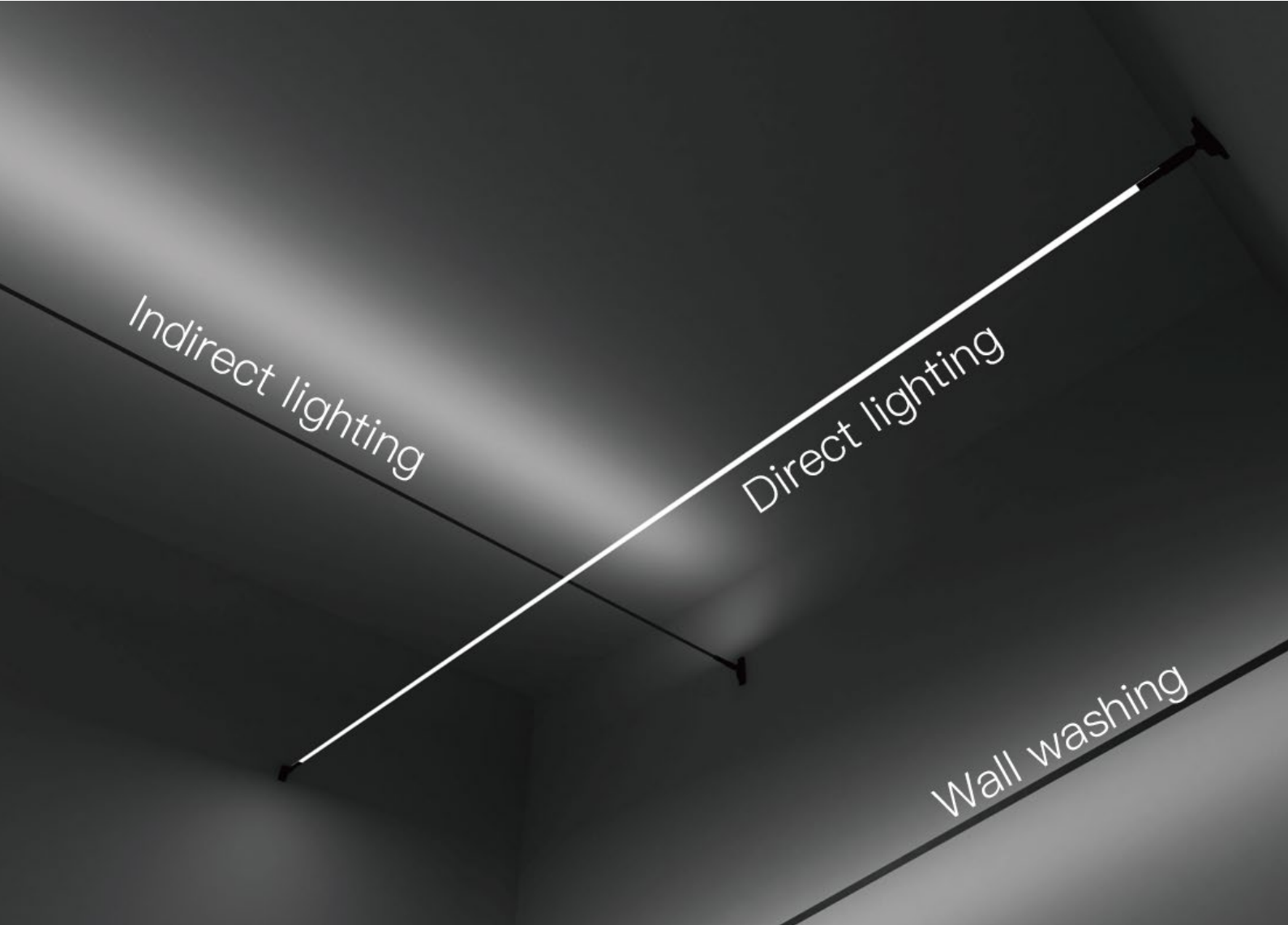


*Images for reference only

Features:

- Flexible and convenient installation, Minor modifications to the walls.
- High quality material, Zinc alloy+stainless steel composition, Strong and durable not easy to deformation.
- Fixed rod can be adjusted by 45°, More possibilities, Suitable for direct, Indirect lighting, Wall washing lighting and other applications.
- Steel strip can up to 25m, Which can perfectly adapt to the lighting decoration of large space.





Accessories:

STARL-H01-W STARL-H02-W



Skyline Linear Wall Base Holder

+

STARL-H03-W



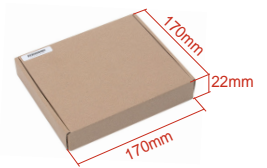
STEEL BAND 25 Meters/roll

=



STARL-H01-W+STARL-H02-W
Weight: 0.34kg

+



STARL-H03-W
Weight: 0.8kg

STARL-H01-B STARL-H02-B



Skyline Linear Wall Base Holder

+

STARL-H03-B



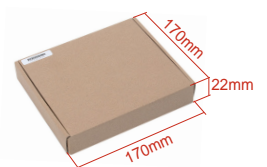
STEEL BAND 25 Meters/roll

=

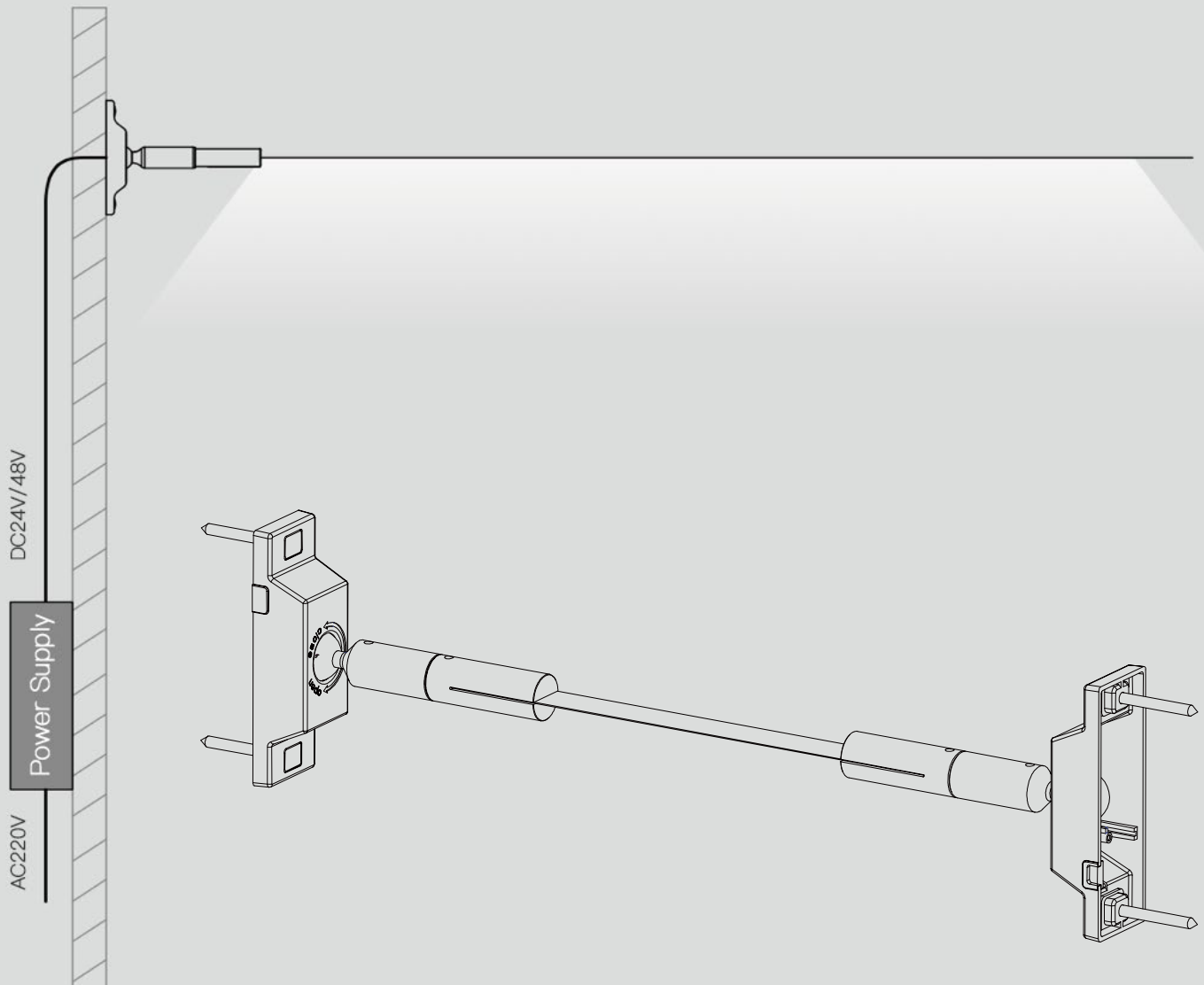


STARL-H01-B+STARL-H02-B
Weight: 0.34kg

+

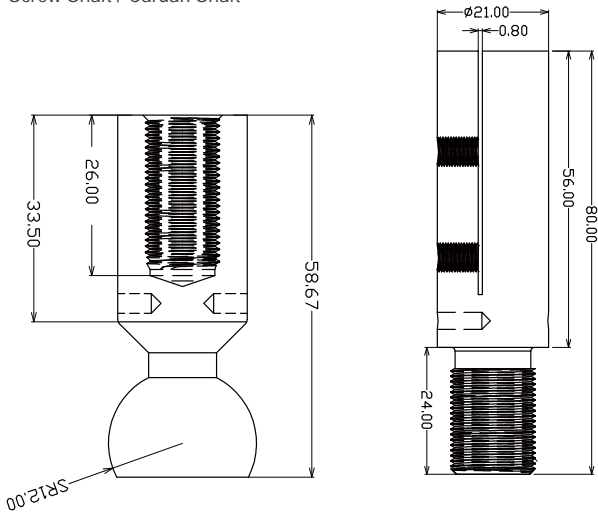


STARL-H03-B
Weight: 0.8kg

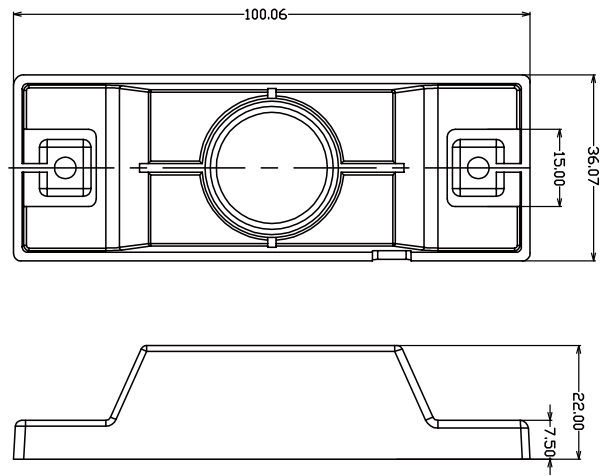


Size:

Screw Shaft / Cardan Shaft

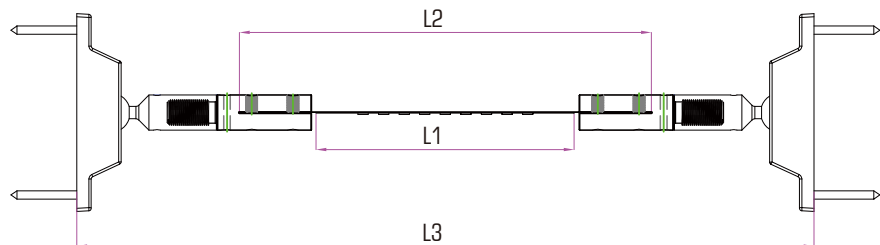


Cardan Shaft Base



- L1: Length of led strip
- L2: Length of steel band
- L3: Length between two walls

L1=L3-(228mm~268mm)
 L2=L3-(158mm~198mm)



Recommended Light Strip:

Part Number	LED Qty/m	Voltage	Power/M	CRI	Size
SUR-2835FW120CC-24V	120	24V	14.4W	≥80	MAX:12m
SUR-2835FW120CC-48V	120	48V	14.4W	≥80	MAX:25m
SUR-FCOB320-24V	320	24V	4.5W	≥80	MAX:5m

*In order to avoid the Voltage drop, we could connect the power supply on both ends of the 12v/24v led strips, or choose the high voltage led strips.

Connection Diagram:



Step 1
Products include screw shaft /cardan shaft, Cardan shaft base, Fixing Screws.



Step 2
Mark on both ends.



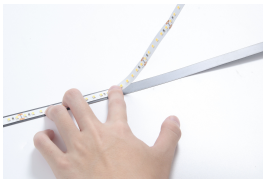
Step 3
Drill holes at the marks



Step 4
Use the tool to measure the distance between two walls. wall distance decrease±20cm



Step 5
Cut the length of strip and steel belt according to the required length.



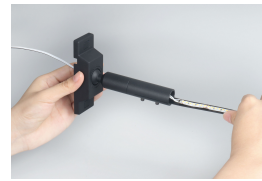
Step 6
Stick the LED strip on the steel belt.



Step 7
Take out the base and put the shaft throughout the hole in the base.



Step 8
Loosen product screws



Step 9
Wear light strips and steel belt



Step 10
Fix the steel belt locking screw



Step 11
Open the base plug, Take out the screw and fix it on the drilled wall. Repeat the operation on the other end.



Step 12
When connected with one end of the power supply, Hold the screw and twist one end of the universal shaft to tighten the steel belt.



Step 13
Repeat the operation at the other end to complete the installation.

