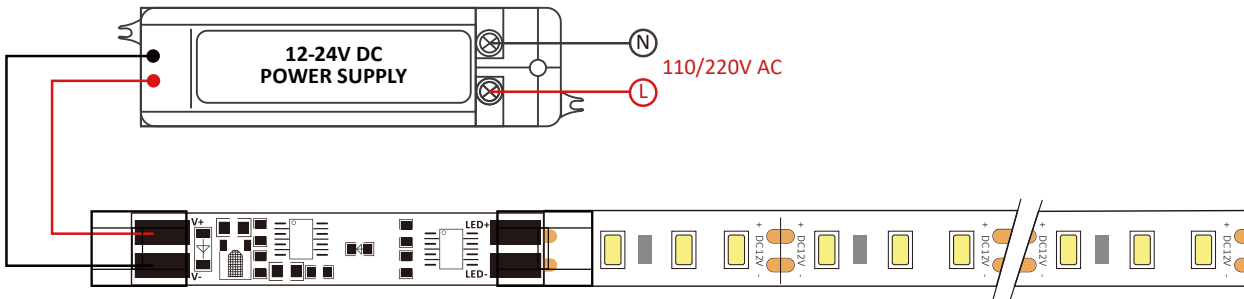


Functions

Model	FTD003
Operation	Touch switch ON/OFF with dimming and memory
Input Voltage	12V–24V DC
Input wire outer diameter	1.9mm MAX
Output Voltage	12V–24V DC
LED Strip Width	8mm
Input Current	3A
Height of Spring	20mm
Load Around	48W for 12V, and 96W for 24V
Dimension	50*8 mm

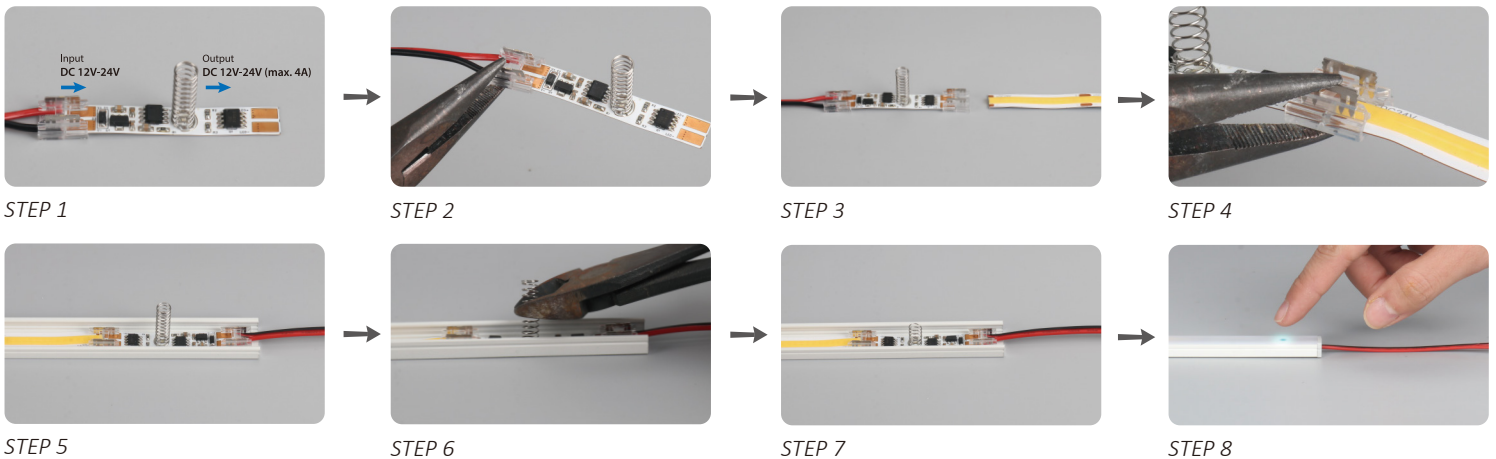
Connection Diagram



Operations

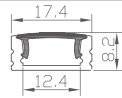

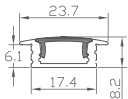

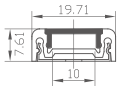

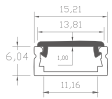

- The conductive spring needs to be covered by insulation material, such as glass, plastic or ceramic material (Thickness≤3mm).
- With memory external switch on/off and dimmer:
 - ① Originally “Off” when the power is connected.
 - ② Quick touch (time is less than 550ms) can turn the light on and off. One touch to turn on; Another touch to turn off. The lamp is 90% bright when it is on.
 - ③ Hold on touching (time is above 550ms) can adjust the brightness endlessly; It will reduce the brightness endlessly to the minimum in 3 seconds holding on when the light on.
 - ④ Quick touch and hold on touching can be chosen anytime without any collision.
 - ⑤ This sensor will memorize the status of the dimming in DC12V–24V.

Installation Steps



Note: The function/program can be customized, made upon different needs, such as longer time for stay on, etc.

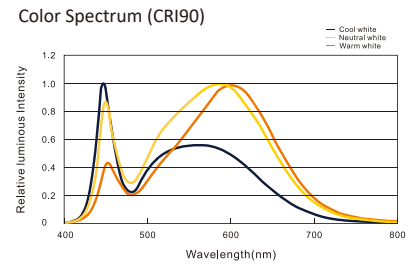
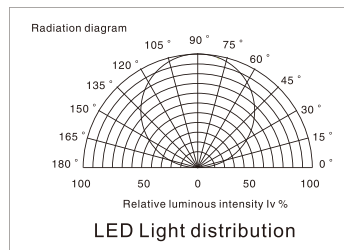
Recommended Profiles/Optional

Model	Color	Size(mm)	Length	Drawing	Photo	Installation
A1707	White	17.4*82	1-3m			Surface mounting
A2507	Black	23.7*8.2	1-3m			Recessed mounting
F003	Aluminum	19.71*7.61	1-3m			Surface mounting
C1506	Aluminum	11.16*6.04	1-3m			Surface mounting

Recommended Strips/Optional


General description

- Available in 12/24V DC maximum
- CRI80 & CRI90 LED Strip are available
- Working temperature: -20°C to +50°C
- Very bright & low power consumption
- Long life span LED lights, more than 50,000 hours
- Adhesive back, peel & stick
- IP20, IP65, IP67 are available




Electronic & Output Data


SMD2835, 60 LEDs/m

Size (mm)	Color	CRI	Photo	LED Qty/m	Lumen/m	Voltage (V)	Power (W/m)	Packing (m/reel)
L5000*W8*H1.5	WW <input checked="" type="checkbox"/>	90+		60	1000	12/24	14.4	5
	NW <input type="checkbox"/>				1100			
	CW <input type="checkbox"/>				1200			


SMD2835, 120 LEDs/m

Size (mm)	Color	CRI	Photo	LED Qty/m	Lumen/m	Voltage (V)	Power (W/m)	Packing (m/reel)
L5000*W10*H1.5	WW <input checked="" type="checkbox"/>	90+		120	1300	12/24	14.4	5
	NW <input type="checkbox"/>				1400			
	CW <input type="checkbox"/>				1500			

SMD2110, 280 LEDs/m

Size (mm)	Color	CRI	Photo	LED Qty/m	Lumen/m	Voltage (V)	Power (W/m)	Packing (m/reel)
L5000*W10*H1.5	WW <input checked="" type="checkbox"/>	90+		280	1420	24	19.2	5
	NW <input type="checkbox"/>				1460			
	CW <input type="checkbox"/>				1510			

SUR-FCOB528-24V

Size (mm)	Color	CRI	Photo	LED Qty/m	Lumen/m	Voltage (V)	Power (W/m)	Packing (m/reel)
L5000*W8*H1.8	WW <input checked="" type="checkbox"/>	90+		528	670	24	10	5
	NW <input type="checkbox"/>				690			
	CW <input type="checkbox"/>				800			