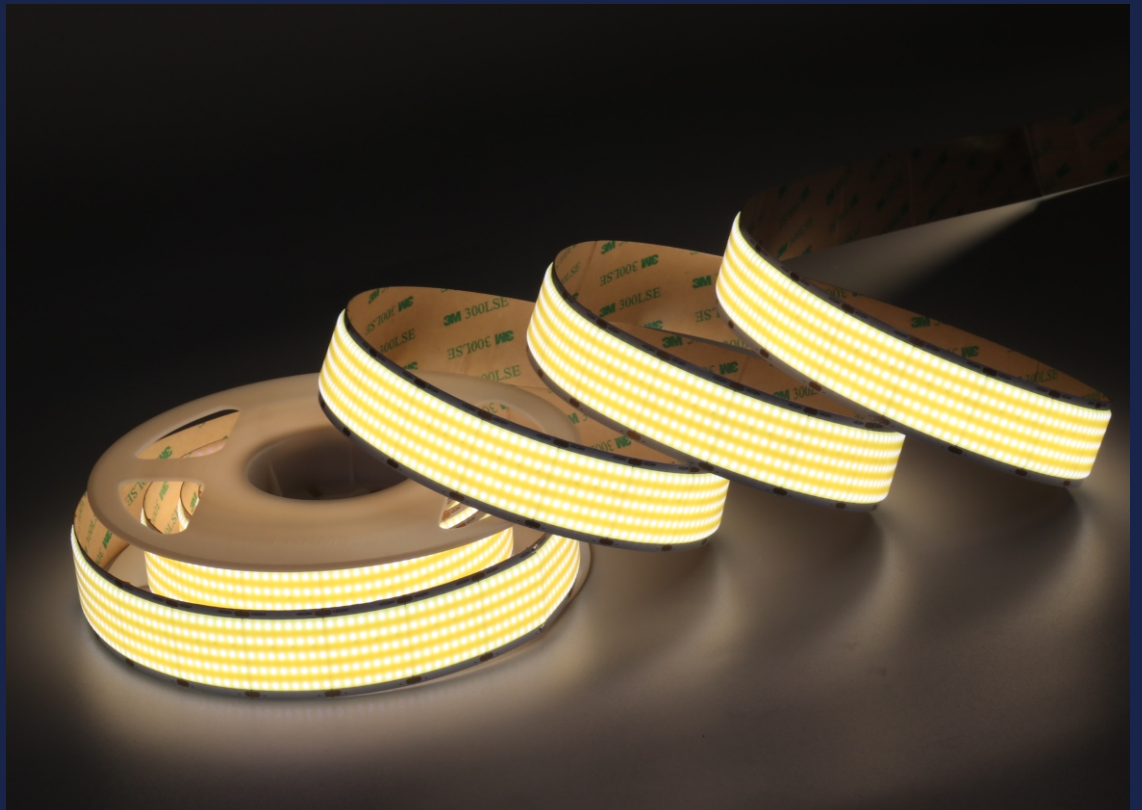




SurMountor



FCOB1600-24-M30

FLEXIBLE STRIP introduction

Product specification

Lister: Lxlan

Assessor: 

Approver: 

Features:

- 1) New Flip Chip On Board Flexible LED Strip, 1600 chips per meter.
- 2) Ideal for LED lighting application to avoid multi-shadows .
- 3) Higher heat conductivity for better thermal management.
- 4) Provide variable and innovative array LED layout designs and combinations.

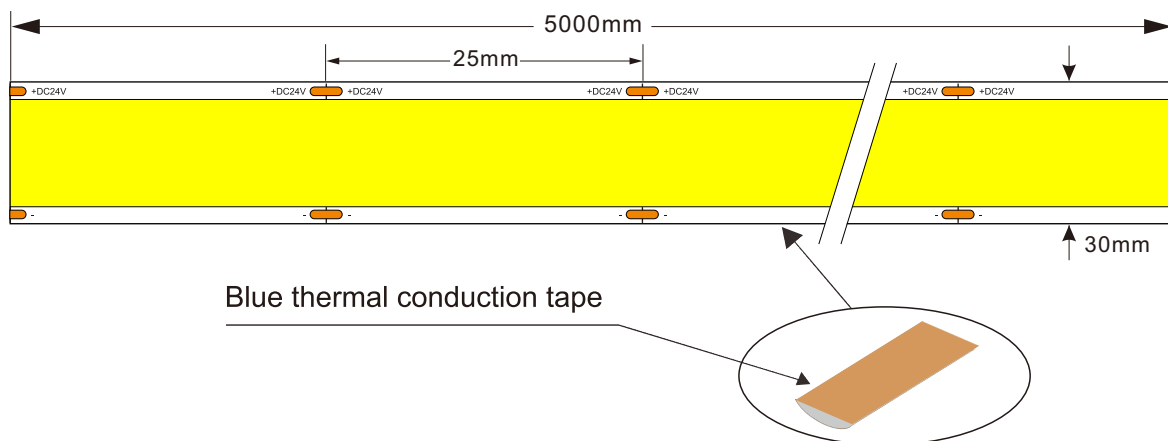
- Available in 24V DC maximum.
- Very bright & low power consumption.
- Operating temperature: -20~50°C.
- Long life span LED lights, more than 50,000 hours.
- Adhesive back, peel & stick!
- All available controller or dimmers.
- Non-waterproof, IP20.

Applications:

Ideal for sign letters and channel letters, concealed lights, room lighting, equipment.

Assembly drawing:

Top View

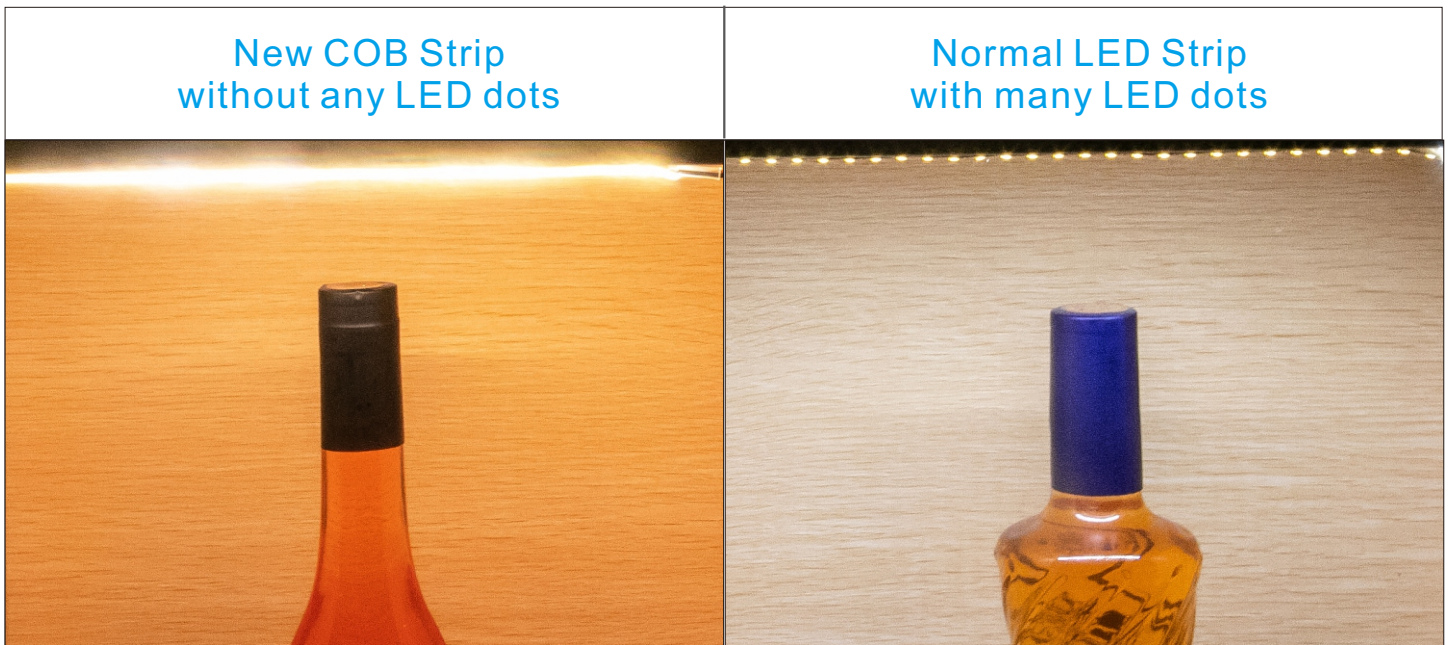


Section

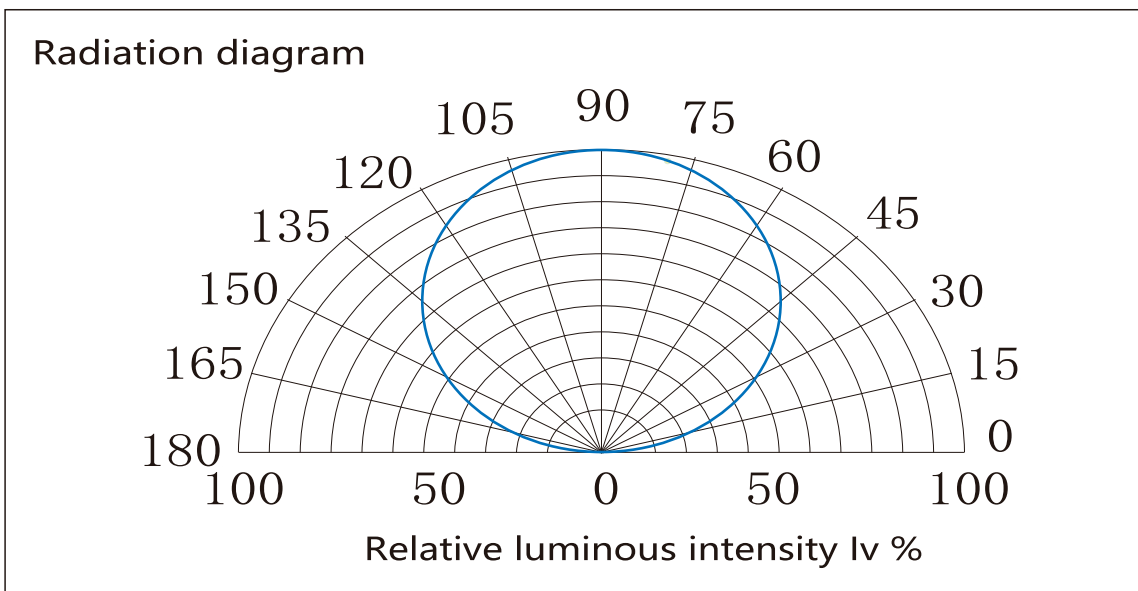


Parameter:

Part number	CRI	Color	Lumen/meter	LED QTY/meter	Voltage	Power/meter	Packing means
SUR-FCOB1600-24-M30	80+	■ 2700K	4200	1600	DC24V	40W/m	5 meters/reel
		■ 3000K	4600				
		■ 4000K	4800				
		□ 6500K	5000				
	90+	■ 2700K	3800				
		■ 3000K	4200				
		■ 4000K	4400				
		□ 6500K	4600				

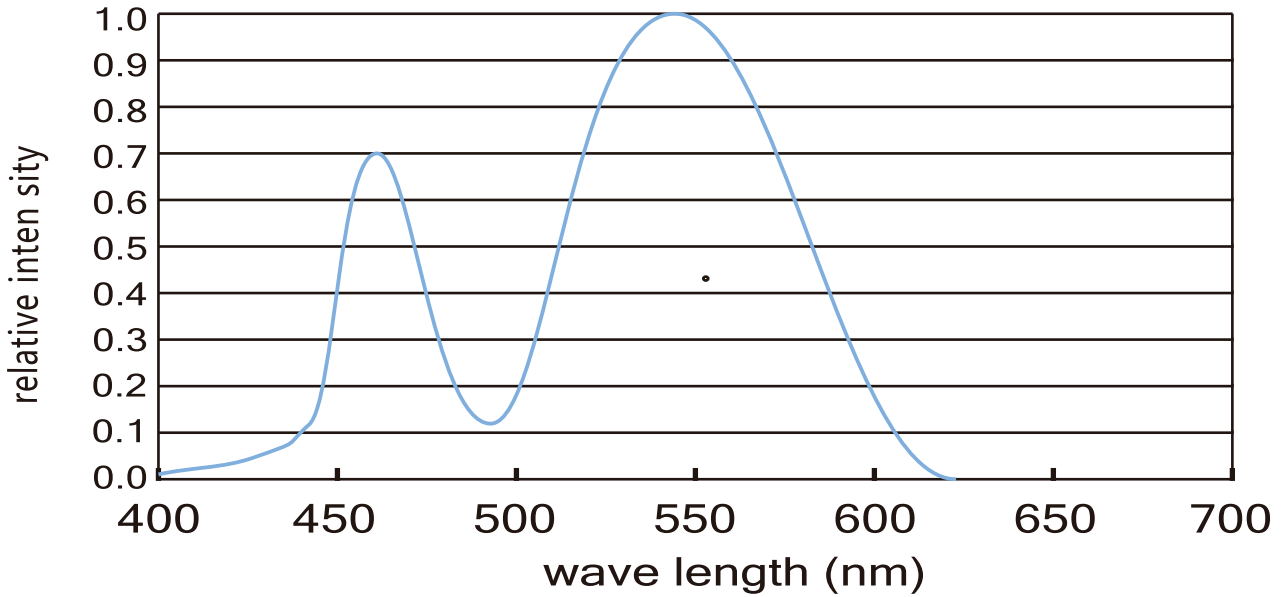


LED Light distribution:

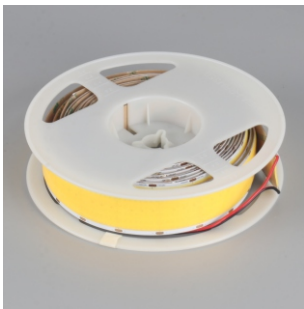


Color spectrum (CRI90):

For: white LED



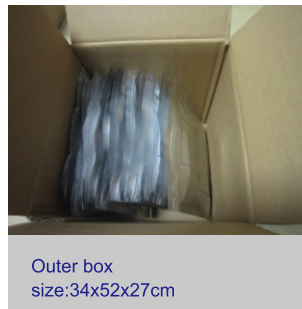
Package:



5 meters/reel



1 reel/bag



Outer box
size:34x52x27cm

25 Bags/Inner Box



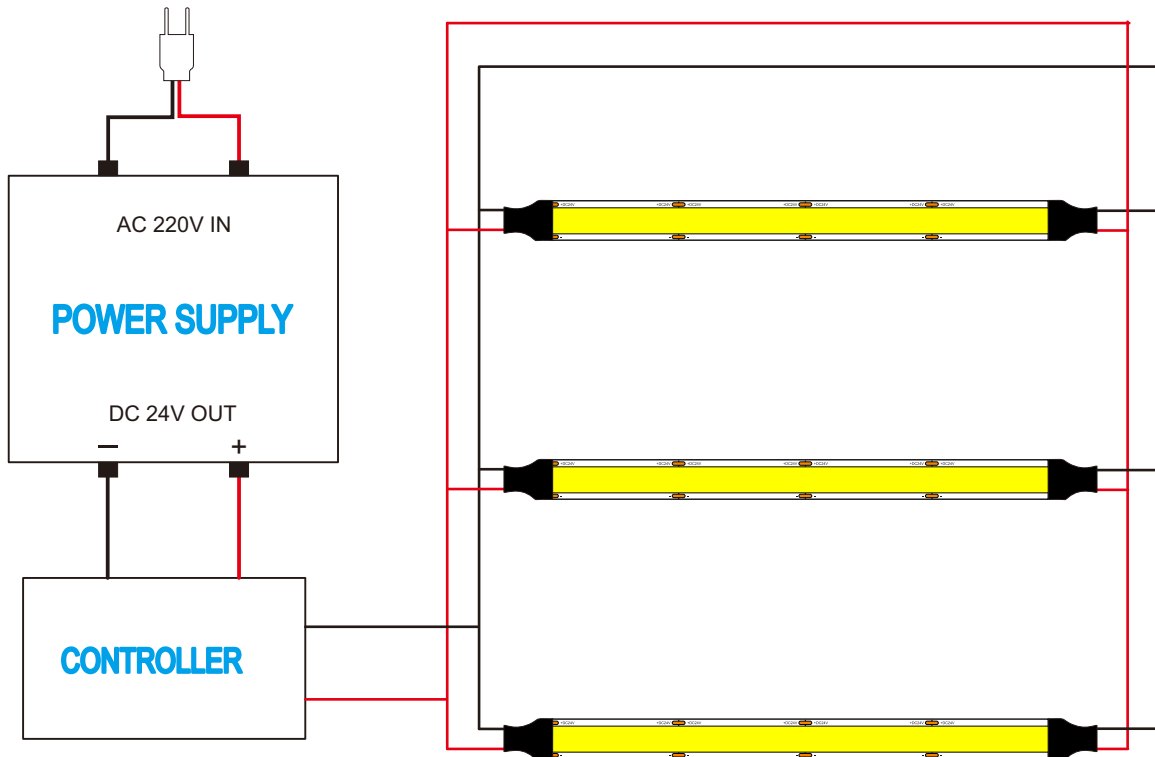
Outer box
size:34x52x27cm

50 Bags/Outer Box

Package: 5 meter strip in one reel, one reel in one anti-static bag, 25 bags put into one carton, 2 inner box put into 1 carton .

How to connect flexible strip:

Below shows you how to connect the flexible strip to power supplies.



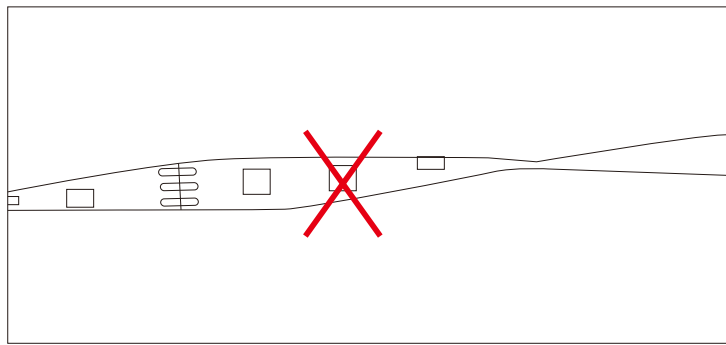
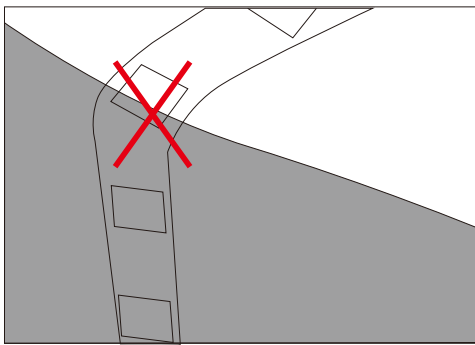
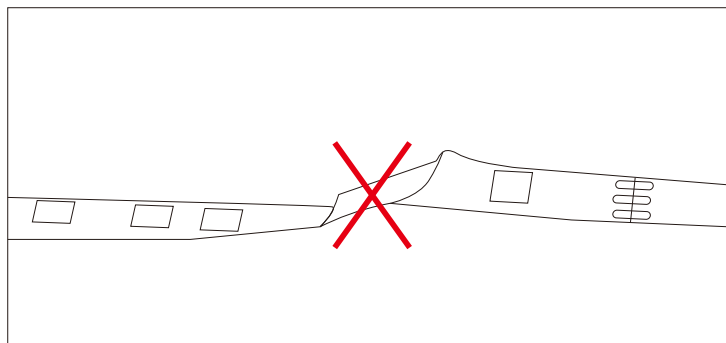
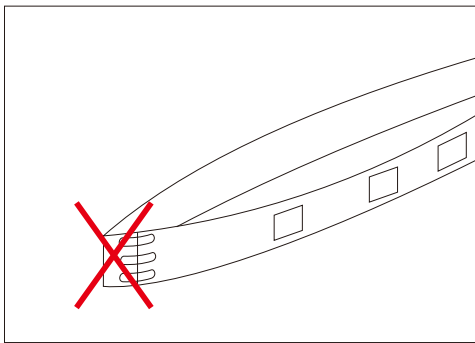
Note:

- Please note that, the LED strips should not be used in sealed or hot place, to make sure the heat dispersion is good, mount the LED strip in Aluminium Chanel.
- Each flexible strip with a total length of the series can not be more than 5 meters.
(Recommmed running length: single power supply: 3m max for 12V, 5m max for 24V. Double power supply: 6m max for 12V, 10m for 24V)
- Flexible strip with all of the total power can not exceed 80 %of the power switching power supply.

Cautions:

When install the led strip, please note the installation technique. The led strip can be bent, but not distorted, as shown below:

Distortion(Wrong)



Bend (Right)

