

FCOB280-220-M12

FLEXIBLE STRIP INTRODUCTION

Product specification

Lister: 精奇

Assessor: 张明

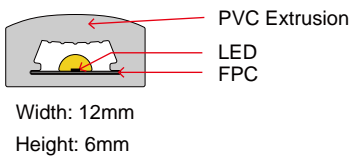
Approver: 张

Features:

- Available in 220V~240V AC.
- CRI70 LED Strip are available.
- Very bright & low power consumption.
- Operating temperature: -20~50°C.
- Long life span LED lights, more than 50,000 hours+
- Adhesive back, peel & stick!
- Waterproof, IP65.
- Easy to install, plug and play.
- Linear lighting, without light spot, soft and uniform luminance.
- No bracket, better bending performance, seamless butting between two solder points.
- Multiple extrusion types provides different effects:
 Milky and white PVC extrusion with brushed inside strip provides anti-glare effect and no light dots effect.
 Milky PVC extrusion strip provides 270° lighting.
 D shaped PVC extrusion strip is light in weight and volumn.
- Full sealed waterproof design, suitable for a variety of environments
- Can be used for tens of meters distance without voltage drop

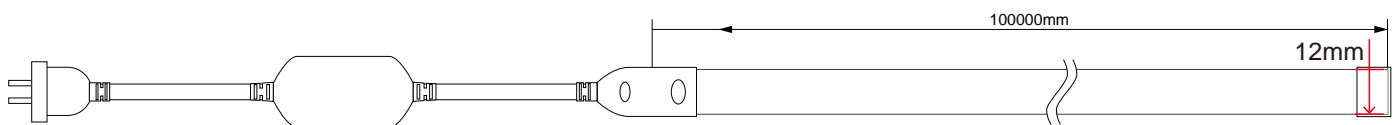


IP65 Silicone Extrusion Moding:

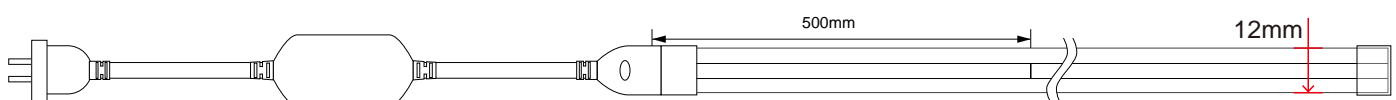


Assembly drawing:




Front Side



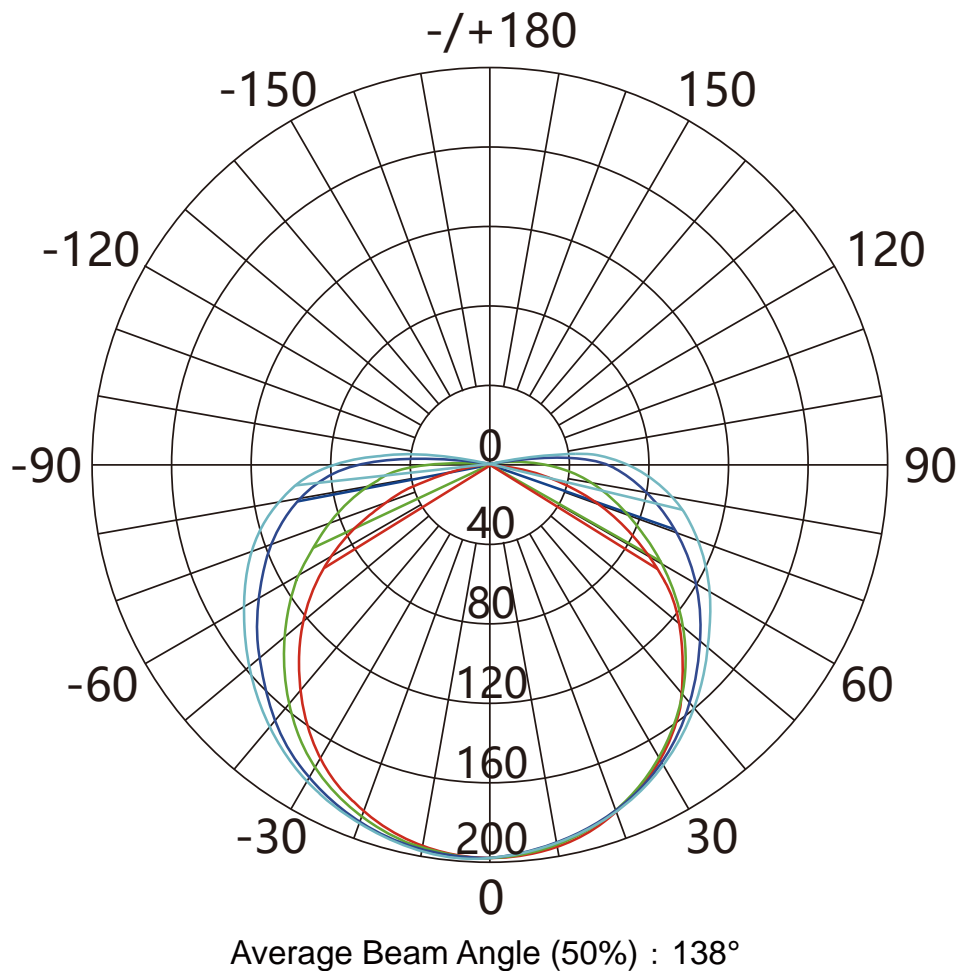
Back Side



Parameter:

SUR-COB280, 280LEDS/M							
Part Number	Size	Color	Cut Every (LEDS)	Lumen/m	Voltage	Power/m	Packing/m
FCOB280-220-M12	W12*H6	WW 	140	680	AC 220V~240V	10W	100 Meters/Reel (Length suggestion: the maximum length is 30 Meters from 1 power end)
		NW 		720			
		CW 		710			

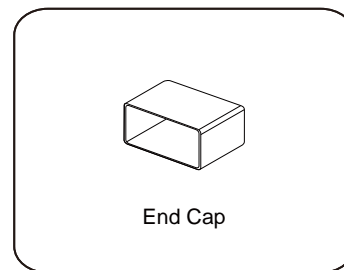
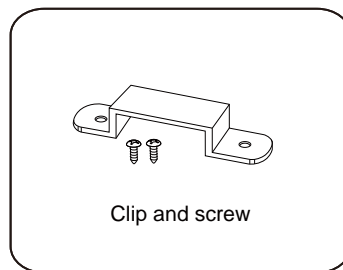
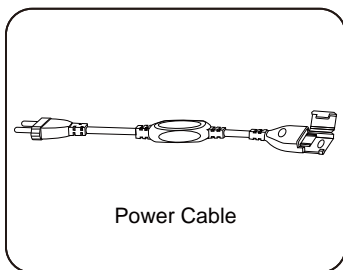
Light Distribution/Iso-illuminance Diagram:



Applications:

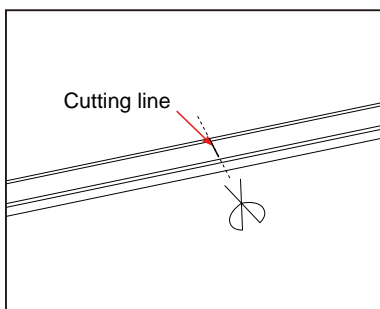
- Cove lighting.
- Architectural lights for canopy, corridor, window, archway.
- Backlight or edge lighting for signage.
- DIY lights for home use.
- Path and contour marking.
- Decorative lights for holiday, event, show, exhibition.

Available Accessories:

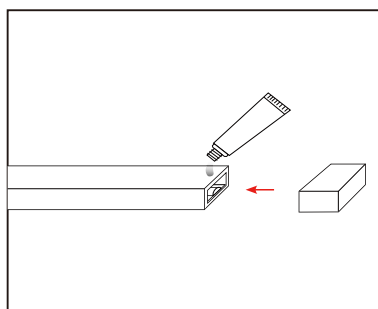


Installation:

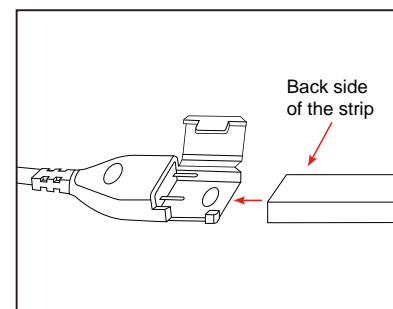
1. Do not power up before installing the light strip.



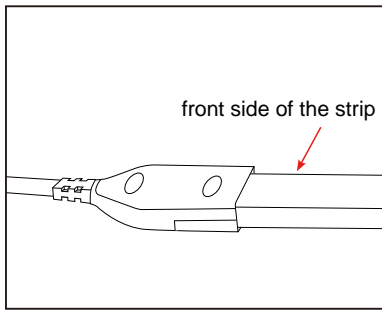
2. If you need to cut the strip, please cut it along the cutting line at the back of the strip.



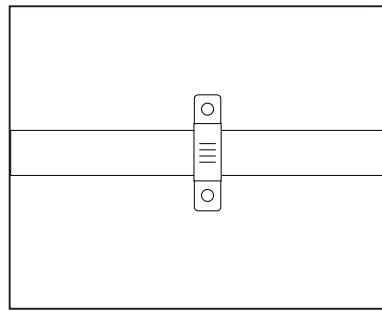
3. The newly cut ends need to be sealed with end-caps and glue.



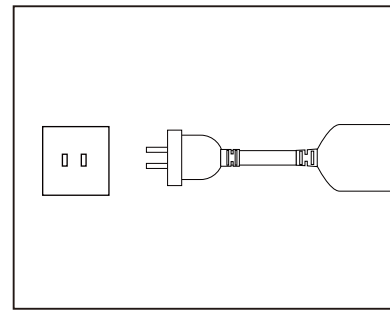
4. Insert the pins of the power cable into the head end of the strip and ensure that the pins contact with the strip pads well. (If the other end of the strip inserted into the pins, the strip won't work even power up).



5. Fasten the lid firmly to avoid the strip falling off.



6. Fix the strip with brackets or clips to the position where it will be used.



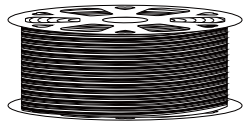
7. Connect the power supply for use.

Note:

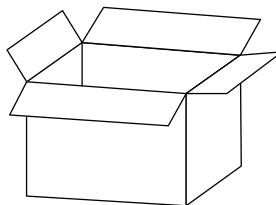
This AC led strip is driven by high voltage 220V-240VAC, and the output is 220V-240VDC, therefore when operating AC led strip should be very cautious in case of electric shock(insulation gloves should be worn during installation).

Packaging Diagram:

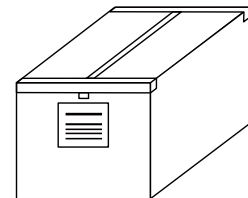
Length: 100m per reel



Reel the LED strip



Put into the carton



Seal the carton

Declaration:

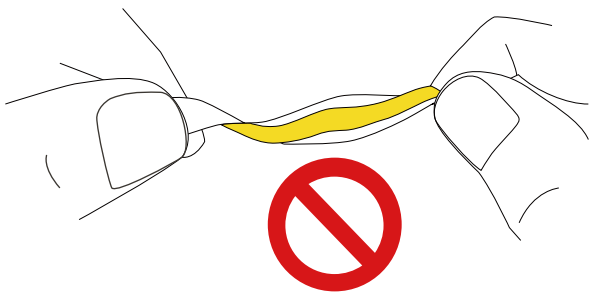
1. If the external flexible cable of light box is damaged, please replace it by its manufacturer or its service agent or qualified person to avoid a hazard.
2. The given data in this specification is based on our standard product. There may be existed slight difference compared with actual products.
3. Working temperature: -20~40°C 10%~90% R.H., storage temperature: -10~30°C 0%~80% R.H.
4. All illustrations in this specification are for reference only.
5. This product is subject to change or modify without prior notice.

Warning:

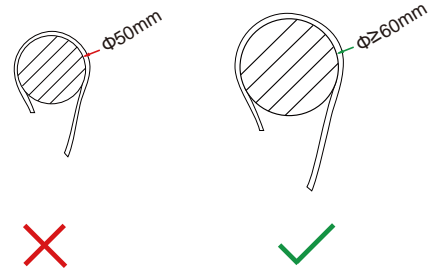
1. Please switch off the power before installation. Do not cut, connect or install the strip light when the power is on.
2. Please make sure to cut the strip light at the cutting mark and install the end cap in time to avoid the risk of electric shock.
3. Before powering up, please unroll the strip. Do not light up or use the strip light on a reel for more than 30 seconds.
4. Please do not fold or twist the strip light during installation. The maximum bending angle of the strip is 70°, so do not bend it to 90°.
5. The strip light should be installed in a space with good ventilation and heat dissipation, not on a flammable surface, and not wrapped or covered with any object.
6. Please do not use this product when the strip light or the power adapter is broken.
7. Please do not connect the strip light to other manufacturers' strip light.
8. Only the strip part is IP65, not the power adapter. The connection between the power supply and the strip light and the end-caps needs to take a waterproof adhesive before it can be used in outdoor environments.
9. The light source of this luminaire is not replaceable. When the light source reaches its end of life the whole luminaire shall be replaced.

Notice:

When install the led strip, please note the installation technique. The led strip can be bent, but not distorted, as shown below:



No twisting the strip



No winding an object with a diameter < 50mm

Declaration:

1. If the external flexible cable of light box is damaged, please replace it by its manufacturer or its service agent or qualified person to avoid a hazard.
2. The given data in this specification is based on our standard product. There may be existed slight difference compared with actual products.
3. Working temperature: -20~40°C 10%~90% R.H., storage temperature: -10~30°C 0%~80% R.H.
4. All illustrations in this specification are for reference only.
5. This product is subject to change or modify without prior notice.