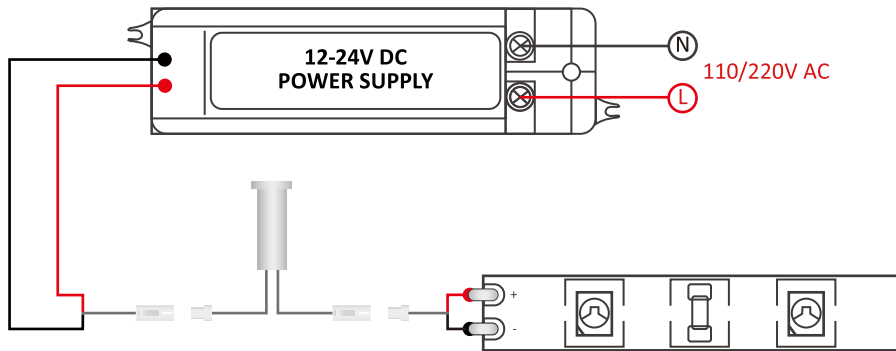


Functions



Model	IR015
Operation	Lights will be ON/OFF when open/close the door.
Input Voltage	12V-24V DC
Output Voltage	12V-24V DC
Input Current	2A
Detection Range	0.5cm≤Detection Range≤10cm.
Load Around	Load around 24W for 12V, 48W for 24V.

Connection Diagram

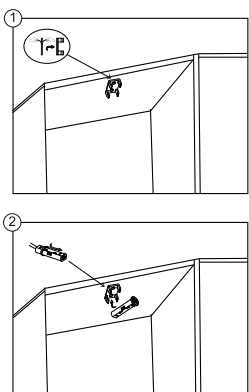


Operations

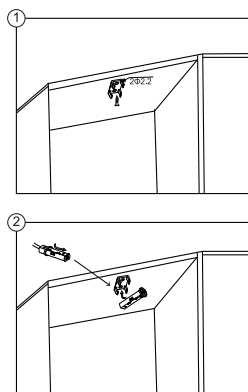
- Lights will be ON/OFF when open/close the door.
- The IR sensor switch will turn on the LED light when the door is open and will turn off the LED light when the door is closed.
- Detection range is 10cm from the sensor detector to the door.
- The sensor switch will turn on or off the LED light with above repeatable steps.

Installation Steps

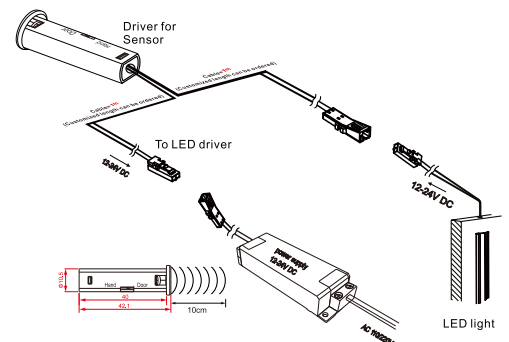
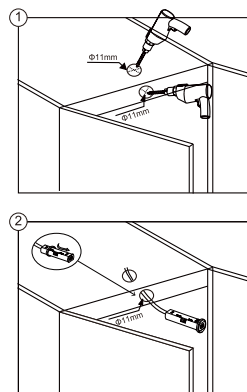
A: Adhesive Backed Surface Installation



B: Screw Surface Installation



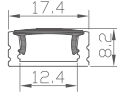
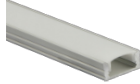
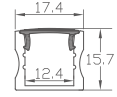

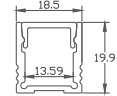

C: recessed Installation



Note: Please read the tag on the wire when connecting cables.

The function/program can be customized, made upon different needs, such as longer time for stay on, etc.

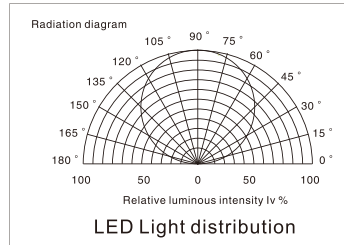
Recommended Profiles/Optional

Model	Color	Size(mm)	Length	Drawing	Photo	Installation
A1707	White	17.4*82	1-3m			Surface mounting
A1715	Black	17.4*15.7	1-3m			Surface mounting
A1920	Aluminum	19.9*18.5	1-3m			Surface mounting

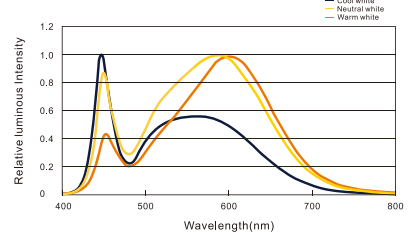
Recommended Strips/Optional

General description

- Available in 12/24V DC maximum
- CRI80 & CRI90 LED Strip are available
- Working temperature: -20°C to +50°C
- Very bright & low power consumption
- Long life span LED lights, more than 50,000 hours
- Adhesive back, peel & stick
- IP20, IP65, IP67 are available




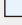


Color Spectrum (CRI90)



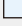


Electronic & Output Data


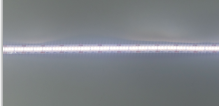

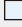
SMD2835, 60 LEDs/m

Size (mm)	Color	CRI	Photo	LED Qty/m	Lumen/m	Voltage (V)	Power (W/m)	Packing (m/reel)
L5000*W8*H1.5	WW 	90+		60	1000	12/24V	14.4	5
	NW 				1100			
	CW 				1200			

SMD2835, 120 LEDs/m

Size (mm)	Color	CRI	Photo	LED Qty/m	Lumen/m	Voltage (V)	Power (W/m)	Packing (m/reel)
L5000*W10*H1.5	WW 	90+		120	1300	12/24V	14.4	5
	NW 				1400			
	CW 				1500			

SMD2110, 280 LEDs/m

Size (mm)	Color	CRI	Photo	LED Qty/m	Lumen/m	Voltage (V)	Power (W/m)	Packing (m/reel)
L5000*W10*H1.5	WW 	90+		280	1420	24V	19.2	5
	NW 				1460			
	CW 				1510			

深圳索斯特照明有限公司				
名称	IR015说明书			
尺寸	A4 (宽210mm 高297mm)			
印刷色彩	单色印刷	印刷方式	双面印刷	
设计	莫新莫	2024-01-10	审核	