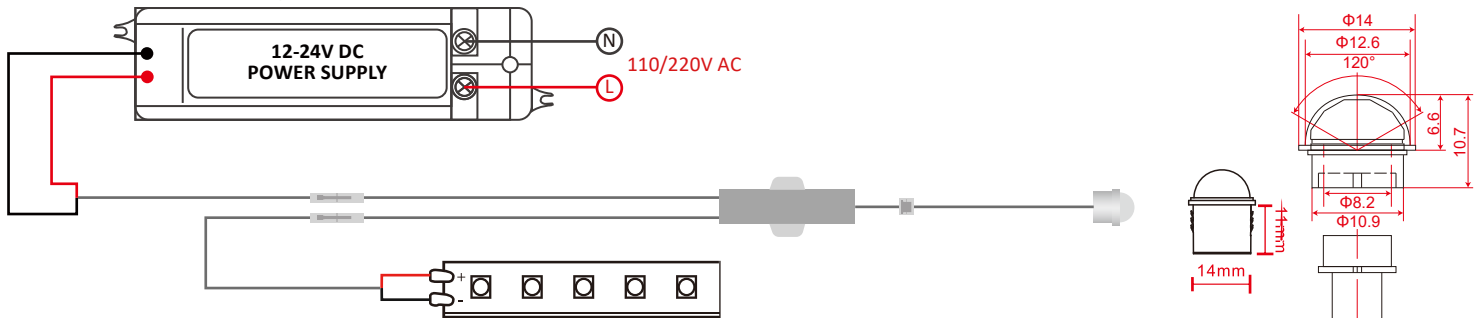


## Functions

Model	PIR006A
Operation	Automatically ON/OFF
Input Voltage	12V–24V DC
Output Voltage	12V–24V DC
Input Current	4A
Detection Range	≤2m
Load around	48W for 12V, and 96W for 24V
Sensor detector cable length	1m (length can be ordered)
Input/output cable length	1m (length can be ordered)

## Connection Diagram

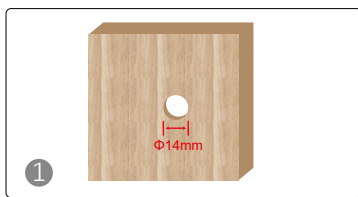


## Operations

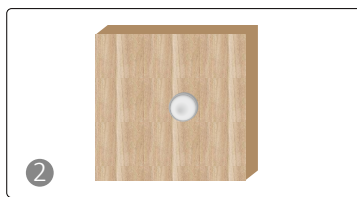
- PIR sensor switch PIR006A is connected to lighting fixtures, so the led lighting fixture can be turn on automatically when any part of human body is approaching within 2 meters from the sensor.
- The lighting fixture equipped with this PIR sensor will stay on if the human body stays within 2 meters from the sensor.
- It will turn off the led light in 40 seconds after human body moves away more than 2 meters.

## Installation Steps

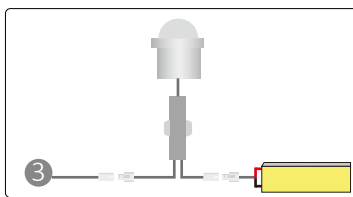
### 1. recessed mounting



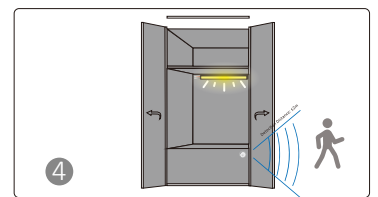
1. Drill a hole of Φ14mm in wooden plate.



2. Insert the sensor into the hole in the wooden plate.

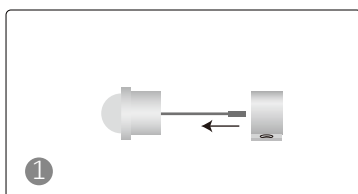


3. Connect power and LED lights.



4. The lighting fixture can automatically turn on when any part of human body is approaching within 2 meters from the sensor.

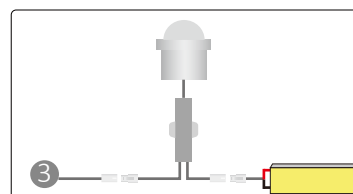
### 2. surface mounting



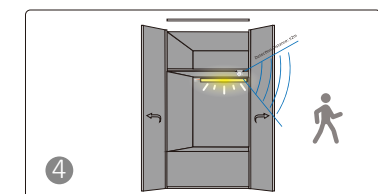
1. Assembling the Sensor and Clip



2. Place the sensor in the selected position Then tighten the screws



3. Connect power and LED lights.



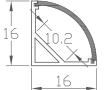

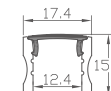

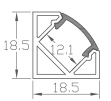

4. The lighting fixture can automatically turn on when any part of human body is approaching within 2 meters from the sensor.

**Note: The function/program can be customized, made upon different needs, such as longer time for stay on, etc.**

## Notices

1. Avoid being exposed to sunlight, auto bulb and incandescent lamp, neither to heat source (such as radiator and heater), or air conditioner, in case of faulty detection caused by ambient temperature change.
2. Sensor switches must be firmly installed, in case of faulty detection from wind shaking.
3. Don't touch the surface of detector.
4. Regularly clean the optical lens surface with wet soft cloth or cotton, in case of dust influence the sensitivity.

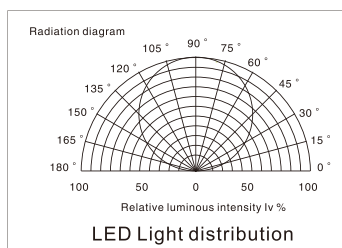
## Recommended Profiles/Optional

Model	Color	Size (mm)	Length	Drawing	Photo	Installation
A1616	Aluminum	16*16	1-3m			Corner mounting
A1715	White	17.4*15.7	1-3m			Surface mounting
C1919	Black	18.5*18.5	1-3m			Corner mounting

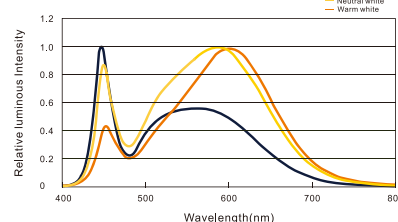
## Recommended Strips/Optional

### General description

- Available in 12/24V DC maximum
- CRI80 & CRI90 LED Strip are available
- Working temperature: -20°C to +50°C
- Very bright & low power consumption
- Long life span LED lights, more than 50,000 hours
- Adhesive back, peel & stick
- IP20, IP65, IP67 are available




Color Spectrum (CRI90)




### Electronic & Output Data

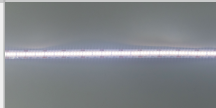
#### SMD2835, 60 LEDs/m

Size (mm)	Color	CRI	Photo	LED Qty/m	Lumen/m	Voltage (V)	Power (W/m)	Packing (m/reel)
L5000*W8*H1.5	WW <input type="checkbox"/> NW <input type="checkbox"/> CW <input type="checkbox"/>	90+		60	1000 1100 1200	12/24V	14.4	5

#### SMD2835, 120 LEDs/m

Size (mm)	Color	CRI	Photo	LED Qty/m	Lumen/m	Voltage (V)	Power (W/m)	Packing (m/reel)
L5000*W10*H1.5	WW <input type="checkbox"/> NW <input type="checkbox"/> CW <input type="checkbox"/>	90+		120	1300 1400 1500	12/24V	14.4	5

#### SMD2110, 280 LEDs/m

Size (mm)	Color	CRI	Photo	LED Qty/m	Lumen/m	Voltage (V)	Power (W/m)	Packing (m/reel)
L5000*W10*H1.5	WW <input type="checkbox"/> NW <input type="checkbox"/> CW <input type="checkbox"/>	90+		280	1420 1460 1510	24V	19.2	5