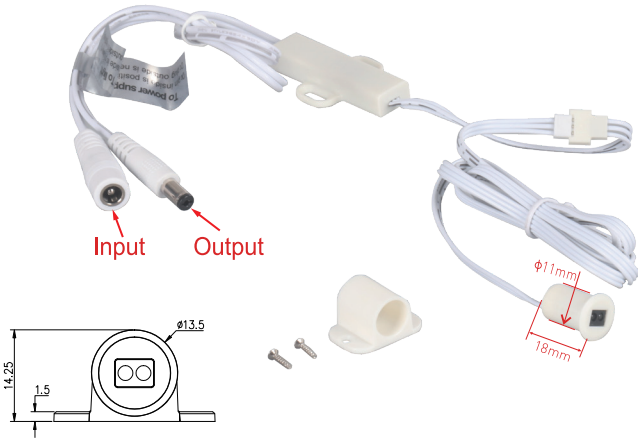
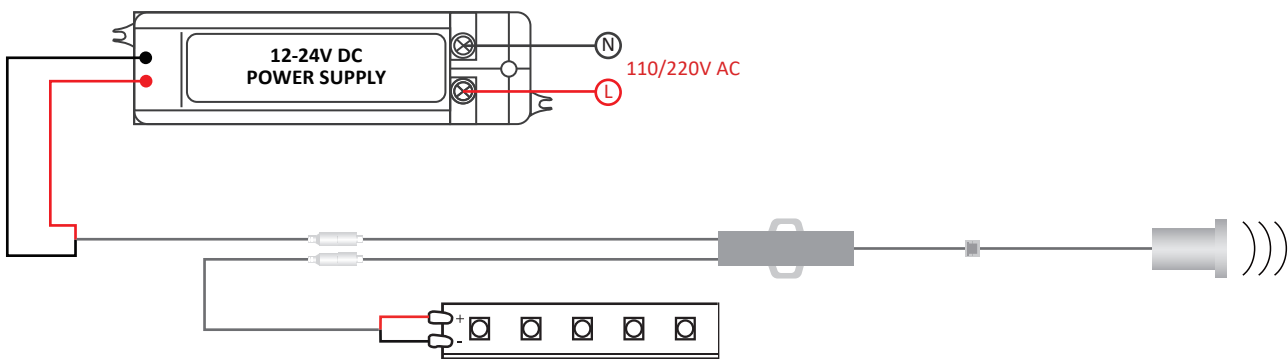


Functions

Model	IR008B-D
Operation	Automatically switch on/off when door is open/closed
Input Voltage	12V--24V DC
Output Voltage	12V--24V DC
Input Current	4A
Load Around	48W for 12V, and 96W for 24V
Detector cable length	1.5m (Length can be customized)
Input/output cable length	1m (Length can be customized)



Connection Diagram

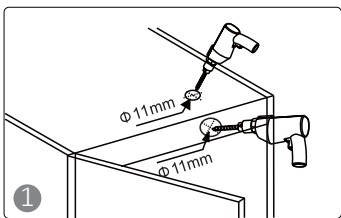


Operations

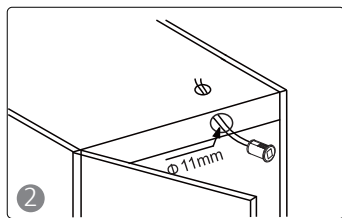
- The LED lamp connects to the output end.
- The IR sensor switch will turn on the LED light when the door is open and will turn off the LED light when the door is closed.
- Detection range is 10 cm from the sensor detector to the door.
- The sensor switch will turn on or off the LED light with above repeatable steps.

Installation Steps

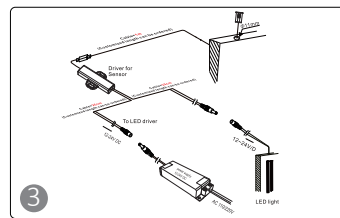
1. Recessed Mounted



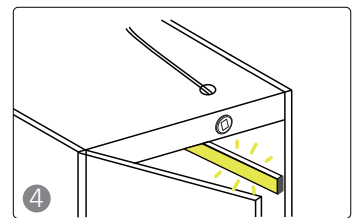
Drill a 11mm hole on the cabinet.



Thread the cable through the drilled hole to secure the sensor to the cabinet.

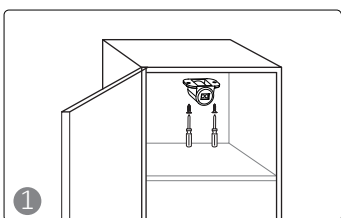


Connect the sensor and power supply as correct way.

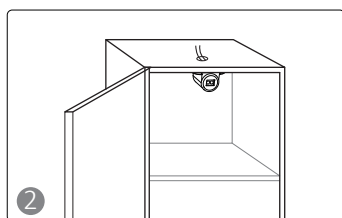


Light on when open the cabinet door.

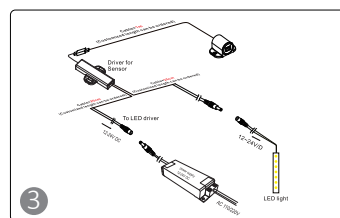
2. Surface mounted



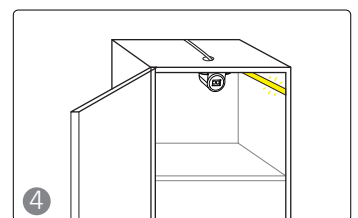
Fix the sensor in place using screws and a screwdriver



Organize the cables neatly

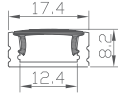
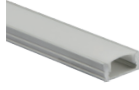
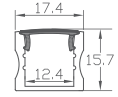

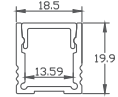



Connect the sensor and power supply as correct way.



Light on when open the cabinet door.

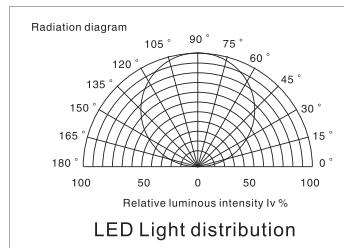
Recommended Profiles/Optional

Model	Color	Size(mm)	Length	Drawing	Photo	Installation
A1707	White	17.4*82	1-3m			Surface mounting
A1715	Black	17.4*15.7	1-3m			Surface mounting
A1920	Aluminum	19.9*18.5	1-3m			Surface mounting

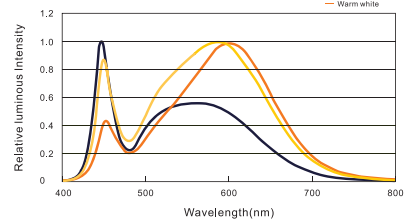
Recommended Strips/Optional

General description

- Available in 12/24V DC maximum
- CRI80 & CRI90 LED Strip are available
- Working temperature: -20°C to +50°C
- Very bright & low power consumption
- Long life span LED lights, more than 50,000 hours
- Adhesive back, peel & stick
- IP20, IP65, IP67 are available







Color Spectrum (CRI90)



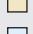
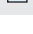


Electronic & Output Data

SMD2835, 60 LEDS/m

Size (mm)	Color	CRI	Photo	LED Qty/m	Lumen/m	Voltage (V)	Power (W/m)	Packing (m/reel)
L5000*W8*H1.5	WW 	90+		60	1000	12/24V	14.4	5
	NW 				1100			
	CW 				1200			

SMD2835, 120 LEDS/m

Size (mm)	Color	CRI	Photo	LED Qty/m	Lumen/m	Voltage (V)	Power (W/m)	Packing (m/reel)
L5000*W10*H1.5	WW 	90+		120	1300	12/24V	14.4	5
	NW 				1400			
	CW 				1500			

SMD2110, 280 LEDS/m

Size (mm)	Color	CRI	Photo	LED Qty/m	Lumen/m	Voltage (V)	Power (W/m)	Packing (m/reel)
L5000*W10*H1.5	WW 	90+		280	1420	24V	19.2	5
	NW 				1460			
	CW 				1510			