



**FCOB576-24V-M8**

**FLEXIBLE STRIP INTRODUCTION**

Product specification

Lister: Lxlan

Assessor: 

Approver: 

## Features:

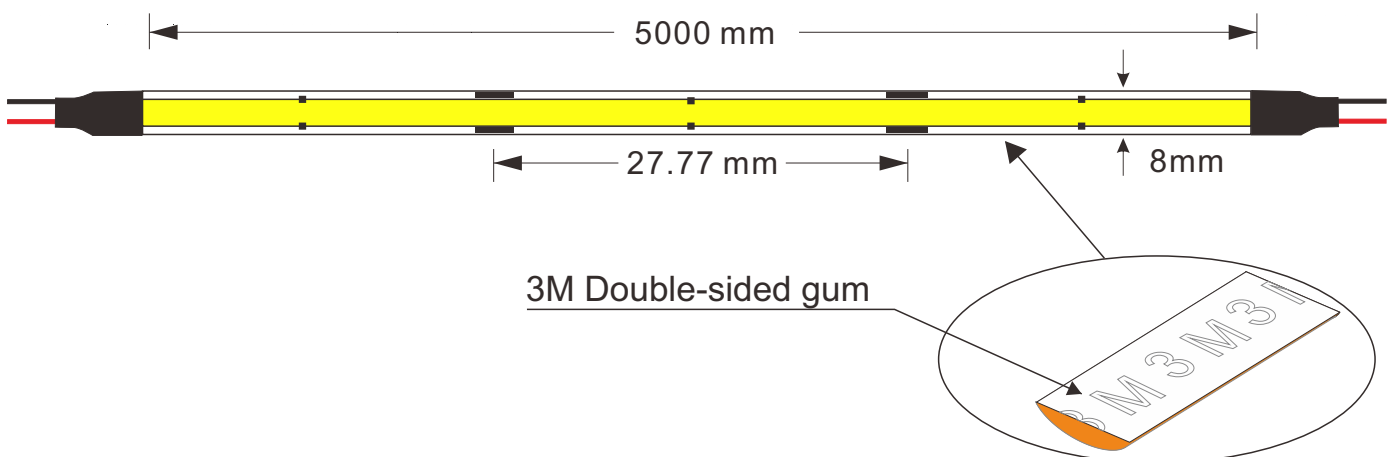
- 1) New Flip Chip On Board Flexible LED Strip, 576 chips per meter.
  - 2) Ideal for LED lighting application to avoid multi-shadows .
  - 3) Higher heat conductivity for better thermal management.
  - 4) Provide variable and innovative array LED layout designs and combinations.
- Available in 24V DC maximum.
  - Very bright & low power consumption.
  - Operating temperature: -20~50°C.
  - Long life span LED lights, more than 50,000 hours.
  - Adhesive back, peel & stick!
  - All available controller or dimmers.
  - Non-waterproof, IP20.

## Applications:

Ideal for sign letters and channel letters, concealed lights, room lighting, equipment.

## Assembly drawing




### Top View



### Section



Dropper series: FCOB576-24V-M8

Part number	Color	LED QTY/meter	Lumen/meter	Voltage	Power/meter	packing means
FCOB576-24V-M8	2700K 	576	920	DC24V	11 watt	5 meters/reel
	3000K 		1000			
	4000K 		1050			

New COB Strip  
without any LED dots

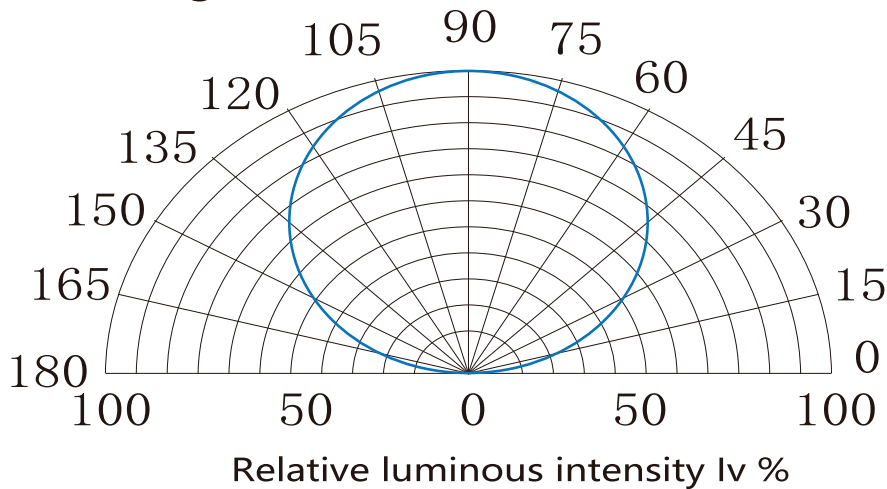


Normal LED Strip  
with many LED dots



## LED Light distribution

Radiation diagram



# Color spectrum (CRI90)

For: white LED



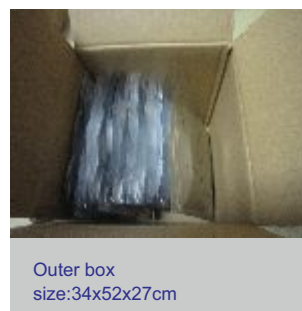
## Package:



5 meters/reel



1 reel/bag



Outer box  
size:34x52x27cm

25 Bags/Inner Box



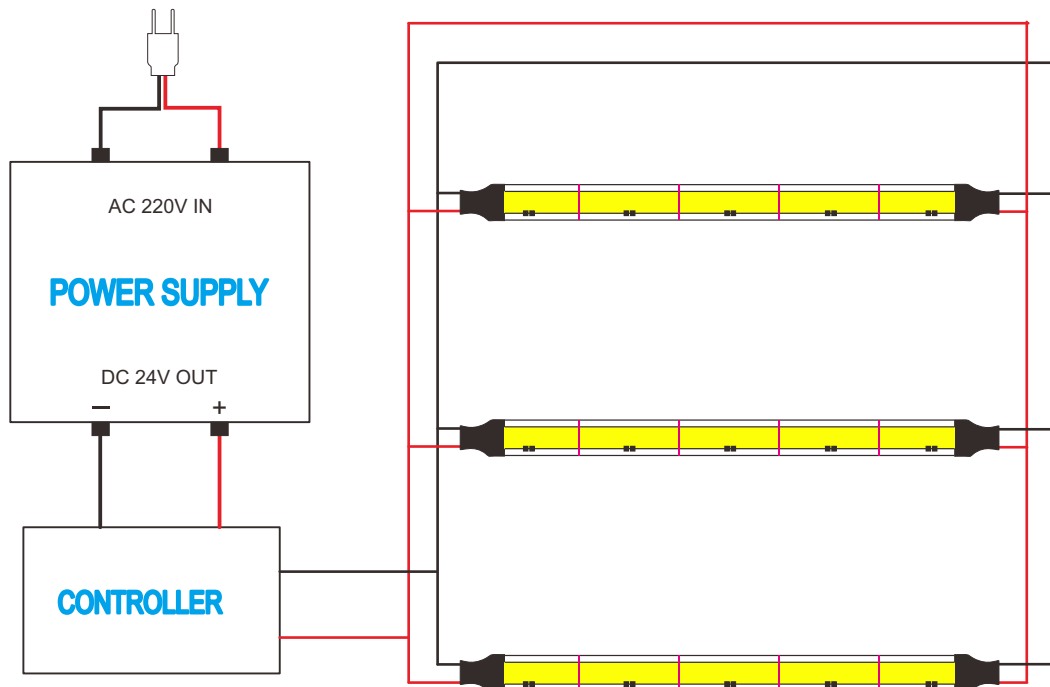
Outer box  
size:34x52x27cm

50 Bags/Outer Box

**Package:** 5 meter strip in one reel, one reel in one anti-static bag, 25 bags put into one carton, 2 inner box put into 1 carton .

## How to connect flexible strip

Below shows you how to connect the flexible strip to power supplies.



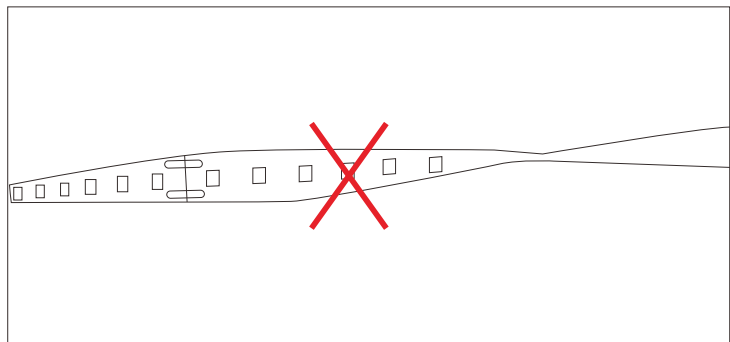
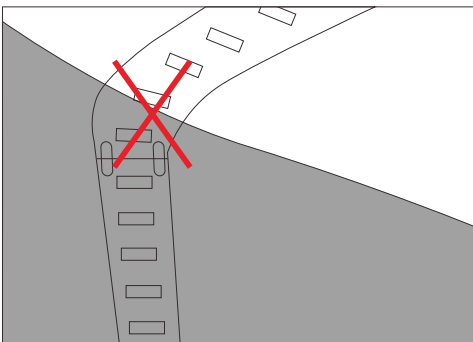
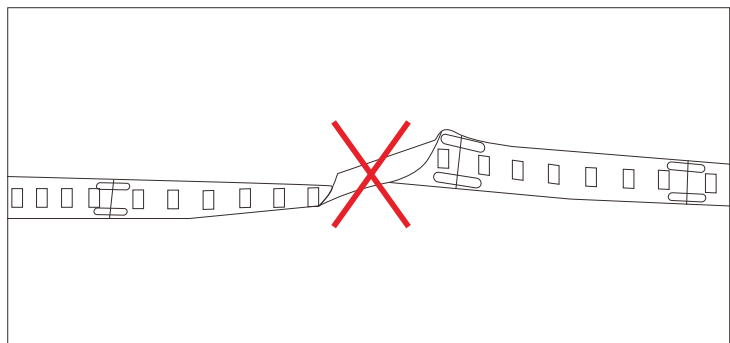
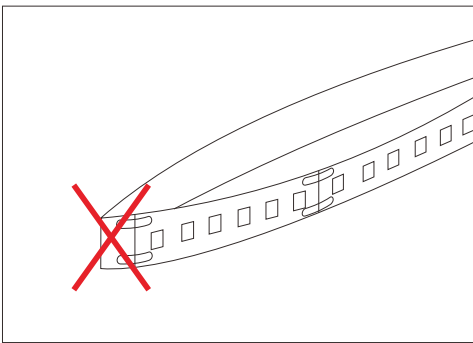
### Note:

- Please note that, the LED strips should not be used in sealed or hot place, to make sure the heat dispersion is good, mount the LED strip in Aluminium Chanel.
- Each flexible strip with a total length of the series can not be more than 5 meters.  
(Recommmed running length: single power supply: 3m max for 12V, 5m max for 24V.  
Double power supply: 6m max for 12V, 10m for 24V)
- Flexible strip with all of the total power can not exceed 80 %of the power switching power supply.

## Cautions:

When install the led strip, please note the installation technique. The led strip can be bent, but not distorted, as shown below:

### Distortion(Wrong)



---

### Bend (Right)

