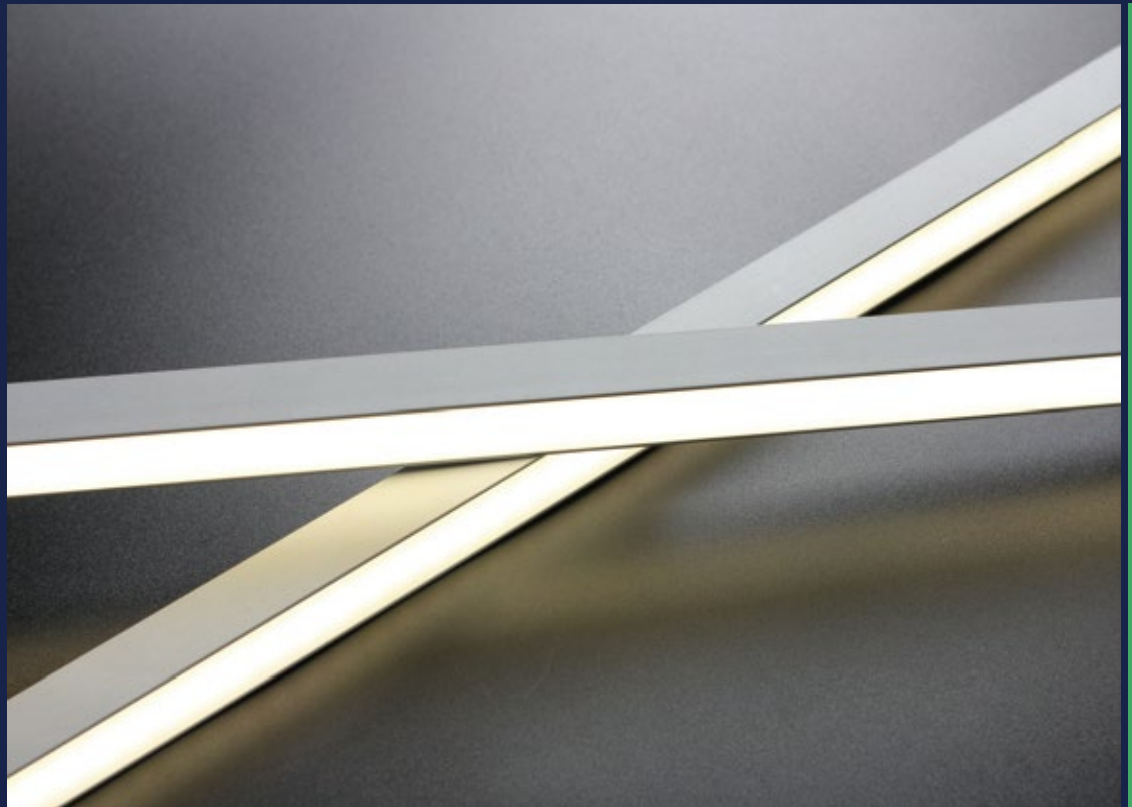




SurMountor



A1816G Line Light Series

Seamless connection | Quick connection

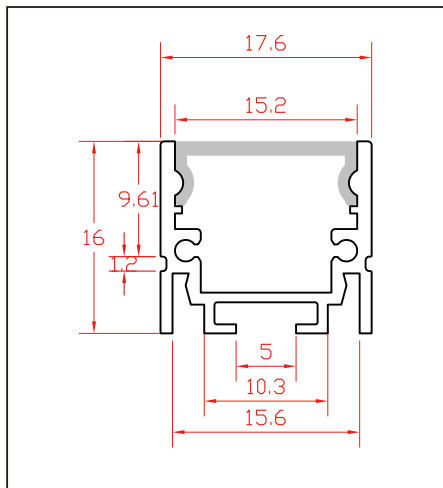
Product specification

Lister: Lxlan

Assessor: 

Approver: 

A1816G Line Light Series			With 2835 LED Rigid Strip				
Model	Power	Lumens	Length	Ra	CCT(K)	Voltage	LED Type
A1816G-600MM	8.6W	700-730	600MM	>80	3000K/4000K/6000K	DC12V or 24V	SMD2835
A1816G-1000MM	14.4W	1100-1200	1000MM				

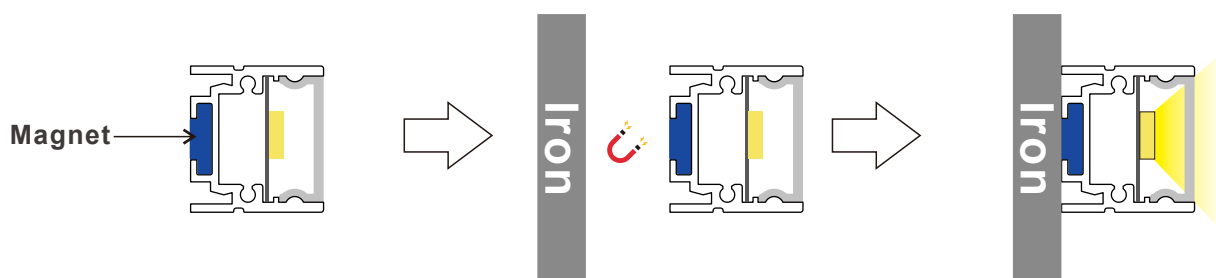


The LED Light A1816G is easy to install to wardrobe or shelf with mounting clip accessories. With modern design, it is suitable for cabinet / furniture / room / ceiling hanging lighting etc. Substantial aluminum mass provide good heat sink for high powered LEDs. It's perfect for seamless connection, no dark space.

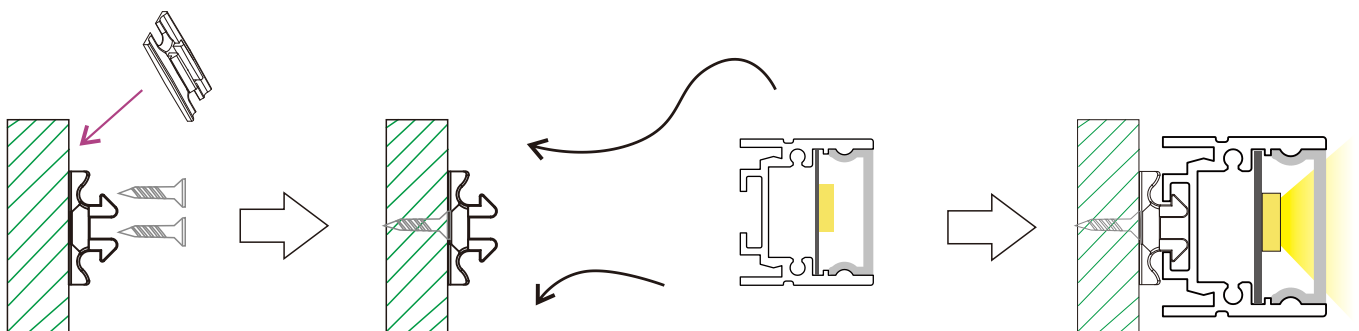


How to install:

1, With magnet



2, With mounting clip



Accessories



Power input cable

1. VDE18# cable, 8A max.
2. Length: 20cm
(cable length can be customized)



PCB connector

8A max.



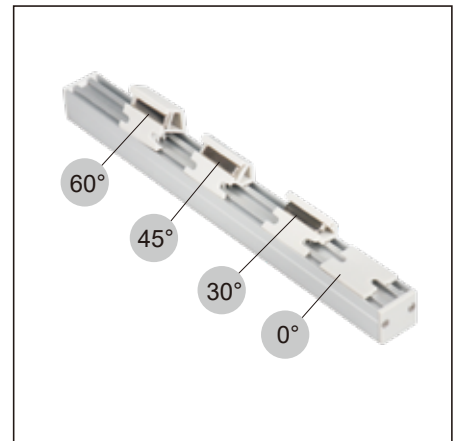
Interconnect cable+Screw (optional)



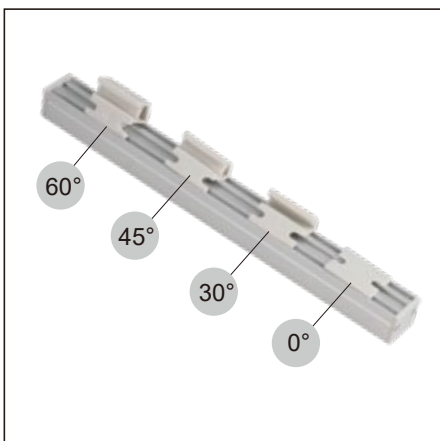
Installation method: magnet



Installation method: Transparent clip for seamless connection



Mounting bracket with magnet



Mounting bracket without magnet

Special angular mounting bracket with strong magnet can be clip onto the back of light bar. So the LED Light Bar is adjustable. The mounting bracket can be fixed by screws or either by magnet.
Total 4 mounting brackets: 0° , 30° , 45° , 60° .



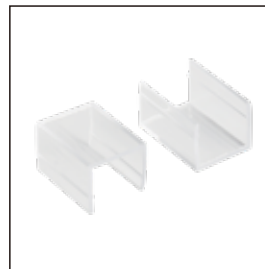
Power input cable



interconnect cable+Screw(optional)



PCB connector(optional)



Mounting clips



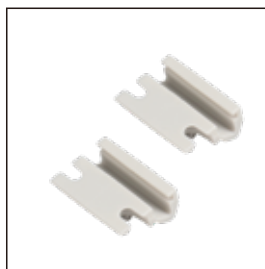
End caps+screws
1 with hole+ 1 without hole



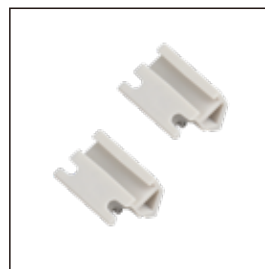
Strong magnet plats



0°mounting bracket



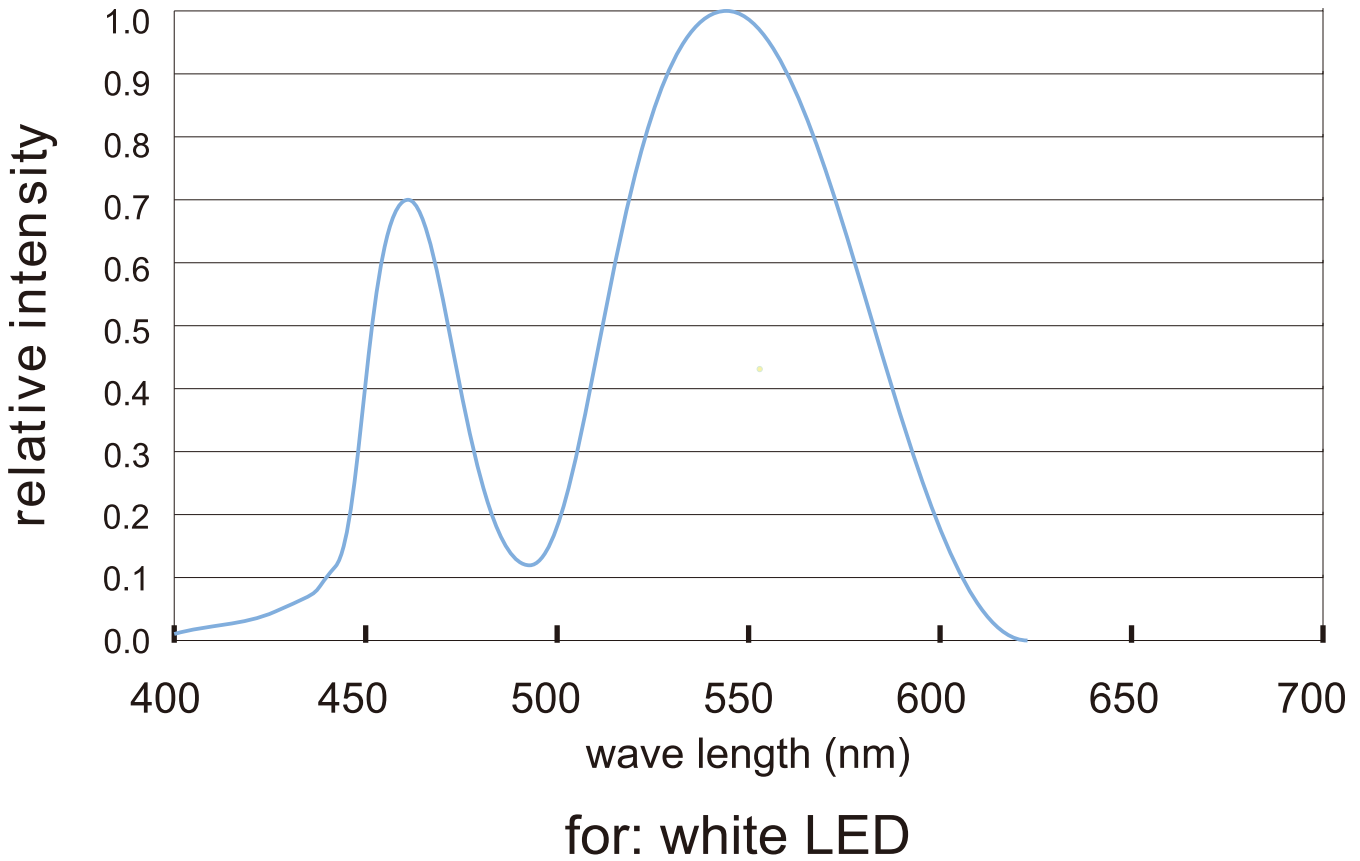
30°mounting bracket



45°mounting bracket



60°mounting bracket



Radiation diagram

