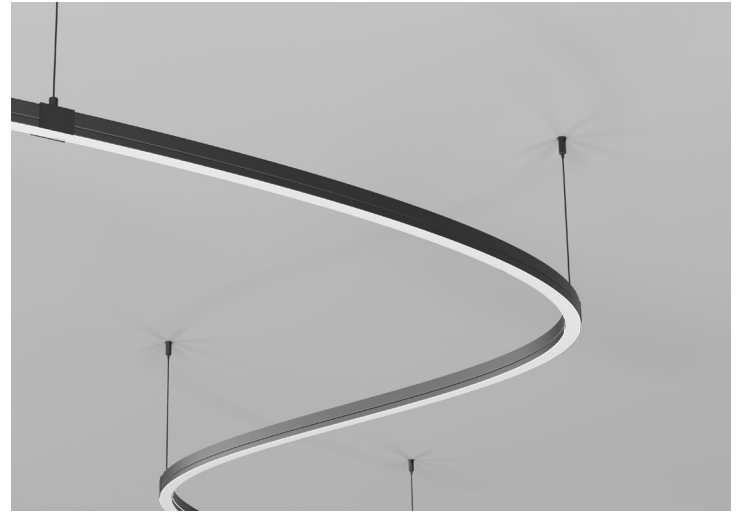
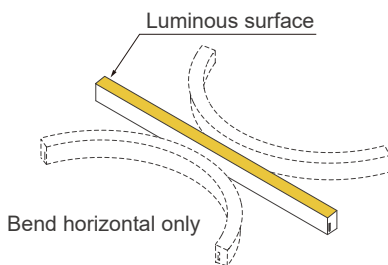
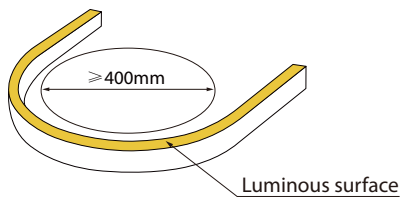
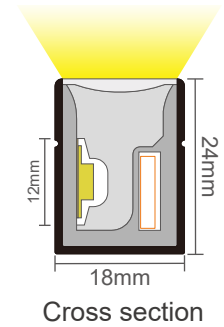
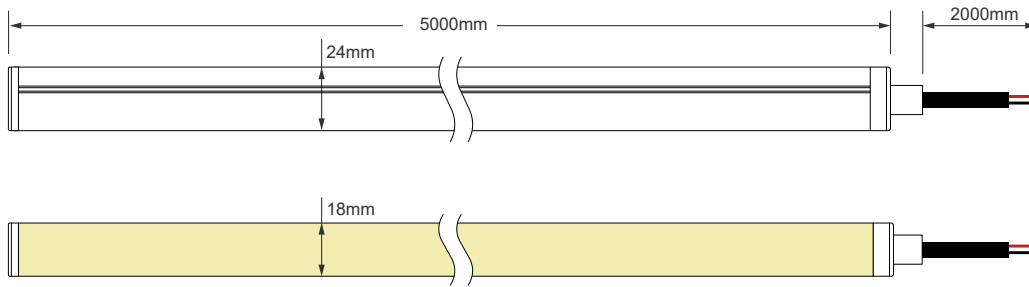


Features

- Side-view illumination with horizontal bending, supporting a minimum bending radius of 400mm / 15.75".
- with a 18mm × 24mm (0.7" × 0.94") cross-section profile.
- IP65 rated with premium silicone housing, UV-resistant and solvent-resistant for demanding environments.
- Easy install, allowing convenient on-site maintenance.
- Built-in steel sheet for structural stability.



Dimension & Bending



Dimension & Bending

Voltage	24V
LED PIN Temperature	Max. 65°C
Storage Temperature	-25°C~60°C
Ambient Temperature	Min. -25°C Max
CRI	> 90

Specification

IP Grade	IP65
PCB Limited (mm)	10-12mm
N.W.(G/M)	450g

Due to normal production tolerances and variations in electronic components, the actual output performance and electrical parameters may vary by up to ±10%.

Recommend LED strip parameters

Single Color

Model	Type	Color / CCT	CRI80 (Lm/M)	CRI90 (Lm/M)	Power/M	Voltage	LED Qty/M	Unit cut	Max Run
SUR-2835FW120-24V	WHT	3000/4000/6000K	611 / 645 / 581	550 / 581 / 571	14.4W	24V	120	6LED/50mm	10m
SUR-2835FW160-24V	WHT	3000/4000/6000K	878 / 911 / 956	790 / 820 / 860	14.4W	24V	160	8LED/50mm	10m

Double Color

Model	Type	Color / CCT	CRI80 (Lm/M)	CRI90 (Lm/M)	Power/M	Voltage	LED Qty/M	Unit cut	Max Run
SUR-2835FW240-24V	WHT	2700-6500K	580-650	550-580	14.4W	24V	240	12LED/50mm	10m

RGB-3838RGB-120-24V

CCT(K)	Lumen(Lm/M)	Efficiency(Lm/W)	Power/M	Voltage	LED Qty/M	Unit cut	Max Run
R	52	10.8	4.8W	24V	120	6LED/50mm	10m
G	154	32	4.8W	24V	120	6LED/50mm	10m
B	33	6.8	4.8W	24V	120	6LED/50mm	10m
RGB	/	/	14.4W	24V	120	6LED/50mm	10m

RGBW-5050RGBW-96-24V

CCT(K)	Lumen(Lm/M)	Efficiency(Lm/W)	Power/M	Voltage	LED Qty/M	Unit cut	Max Run
R	42	11.2	3.75W	24V	96	6LED/62.5mm	10m
G	117	31.2	3.75W	24V	96	6LED/62.5mm	10m
B	23	6.1	3.75W	24V	96	6LED/62.5mm	10m
WW	119	31.7	3.75W	24V	96	6LED/62.5mm	10m
NW	125	33.3	3.75W	24V	96	6LED/62.5mm	10m
CW	123	32.8	3.75W	24V	96	6LED/62.5mm	10m
RGBW	/	/	15W	24V	96	6LED/62.5mm	10m

RGBWW-5050RGBW-96-24V

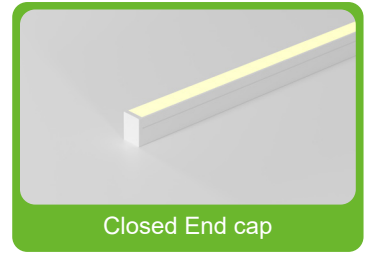
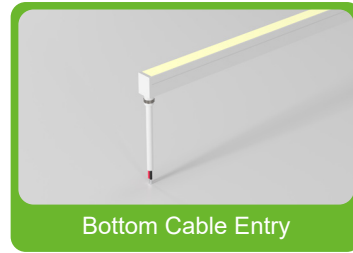
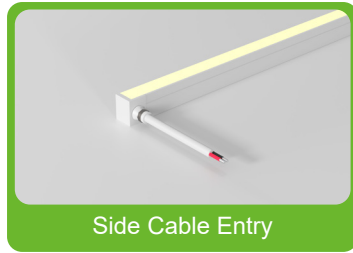
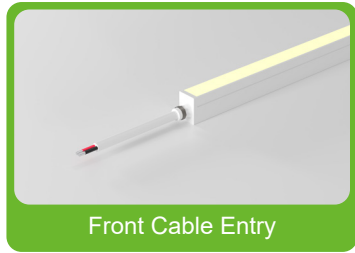
CCT(K)	Lumen(Lm/M)	Efficiency(Lm/W)	Power/M	Voltage	LED Qty/M	Unit cut	Max Run
R	42	11.2	3.75W	24V	96	6LED/62.5mm	10m
G	117	31.2	3.75W	24V	96	6LED/62.5mm	10m
B	23	6.1	3.75W	24V	96	6LED/62.5mm	10m
WW	127	31.7	4W	24V	96	6LED/62.5mm	10m
NW	133	33.3	4W	24V	96	6LED/62.5mm	10m
CW	131	32.8	4W	24V	96	6LED/62.5mm	10m
RGBWW	/	/	19.2W	24V	96	6LED/62.5mm	10m

SPIRGB-5050RGBIC-84-24V

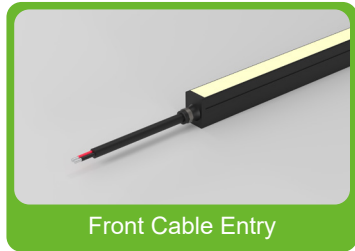
CCT(K)	Lumen(Lm/M)	Efficiency(Lm/W)	Power/M	Voltage	LED Qty/M	Unit cut	Max Run
R	54	10.8	5W	24V	84	6LED/71.43mm	10m
G	160	32	5W	24V	84	6LED/71.43mm	10m
B	34	6.8	5W	24V	84	6LED/71.43mm	10m
RGB	/	/	15W	24V	84	6LED/71.43mm	10m

Cable Entry

Injection molded endcap (IP67)



Injection molded endcap (IP67)-Black

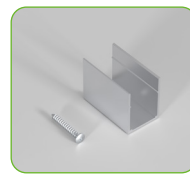


Accessories Options (Optional, purchase for extra)

Mounting Options



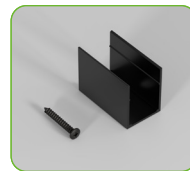
Name	Steel Wire Suspension Kit
Materia	Stainless Steel
Mounting style	Suspension Mounting
Length	/
Color	Silver



Name	Mounting clip
Materia	Aluminum
Mounting style	Surface mounted
Length	30mm
Color	Silver



Name	Steel Wire Suspension Kit
Materia	Stainless Steel
Mounting style	Suspension Mounting
Length	/
Color	Black



Name	Mounting clip
Materia	Aluminum
Mounting style	Surface mounted
Length	30mm
Color	Black



Name	Adjustable Suspension Rod Kit
Materia	Stainless Steel
Mounting style	Suspension Mounting
Length	330–610 mm (Adjustable)
Color	Black

Driver & Controller



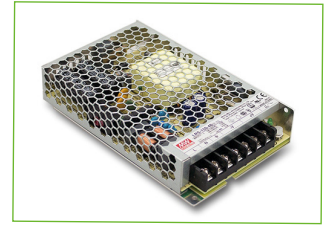
Order code: XLG-150-24-A
AC100-240V DC24V 150W
IP67, Global certification.
Non Dimmable.



Order code: XLG-150-24-AB
AC100-240V DC24V 150W
IP67, Global certification
3in1 dimming function: 0-10Vdc,
10V PWM signal and resistance.



Order code: ELG-150-24DA-3Y
AC100-240V DC24V 150W
IP67, Global certification
Dali control technology.



Order code: LRS-150-24
AC100-120V/200-240V DC24V 150W
IP20, Global certification
Non Dimmable.



Model: FUT036S+C3
Dimmer: 1 Channel DC12V/24V,
6A, Dimmer, RF remote with
finger touch ring.



Model: FUT035S+C3
CCT Adjustable- 2 Channel
DC12V/24V, 6A, CCT adjustable,
RF remote with finger touch ring.



Model: FUT037S+C5
RGB controller: 3 Channel
DC12V/24V, 6A, RGB, RF
remote with finger touch ring.



Model: FUT038S+C5
RGB+W Controller: 4 Channel
DC12V/24V, 6A RGB+W controller,
RF remote with finger touch ring.

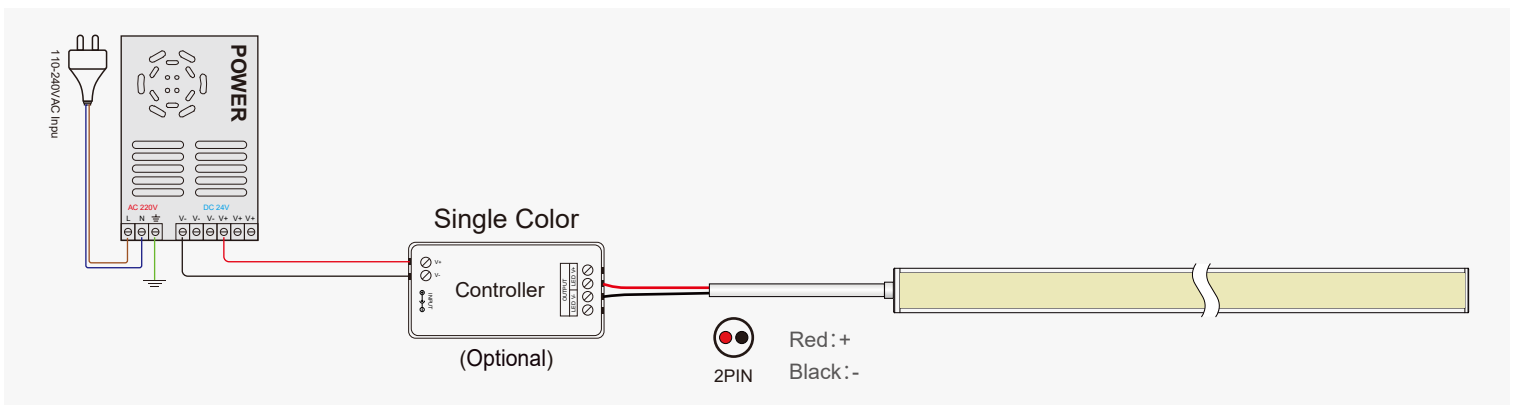


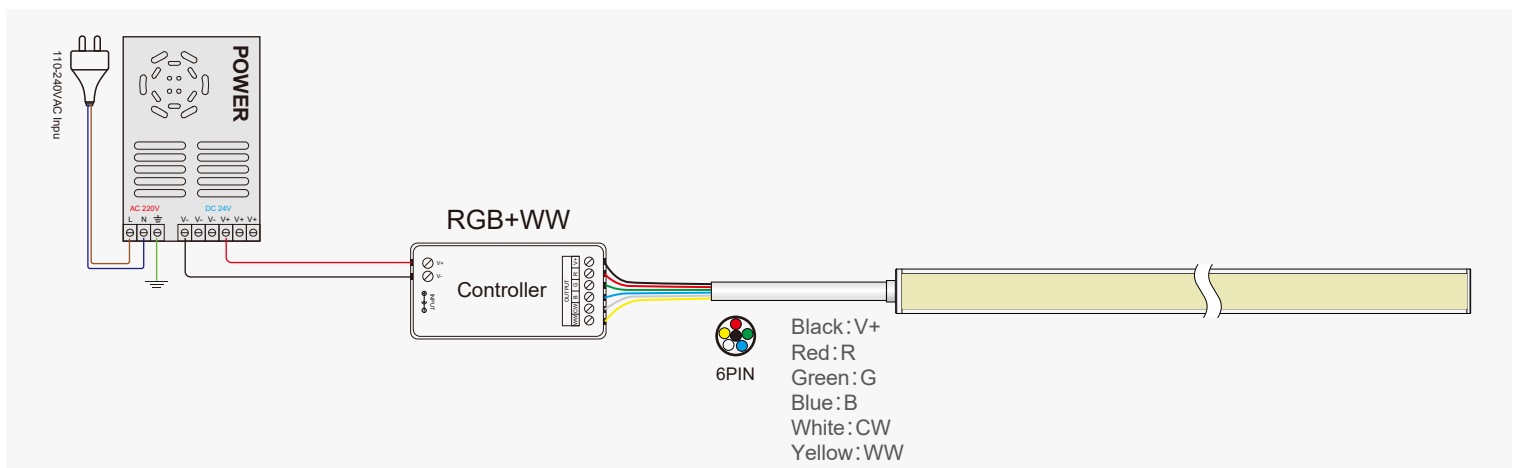
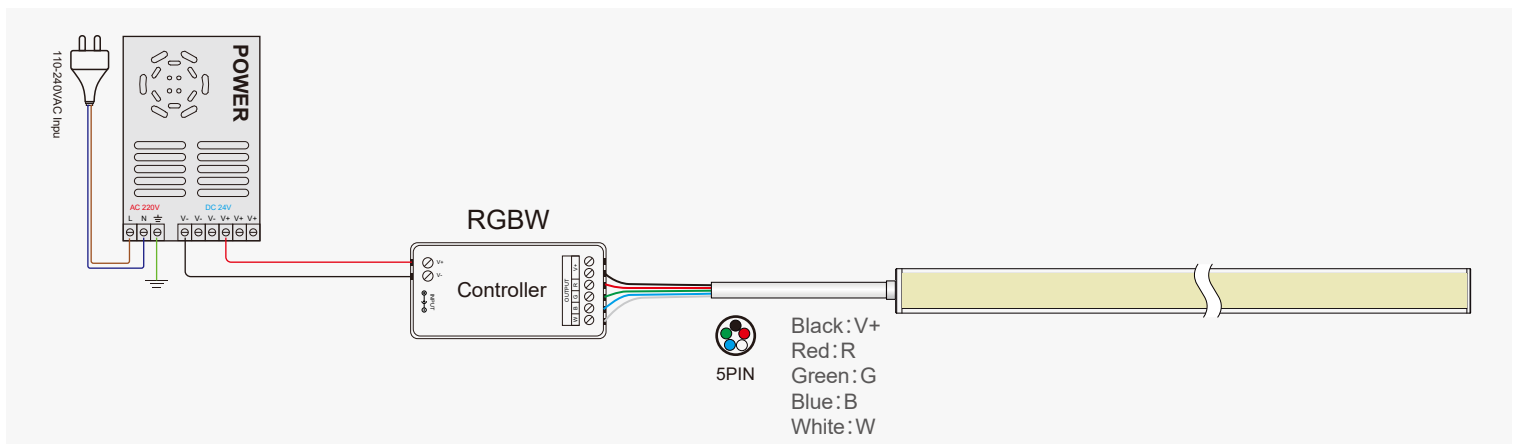
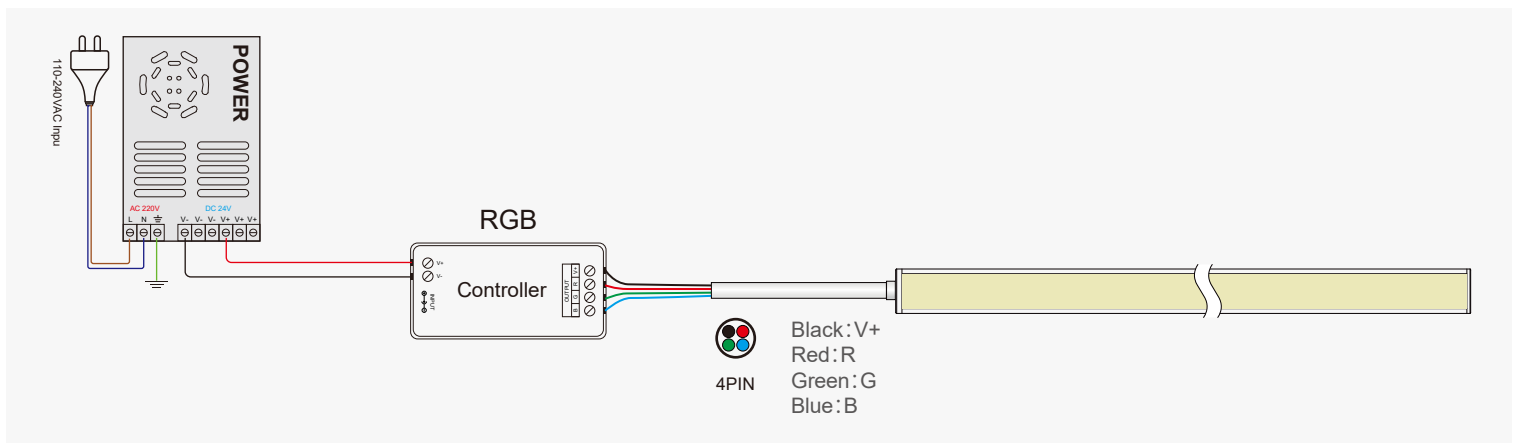
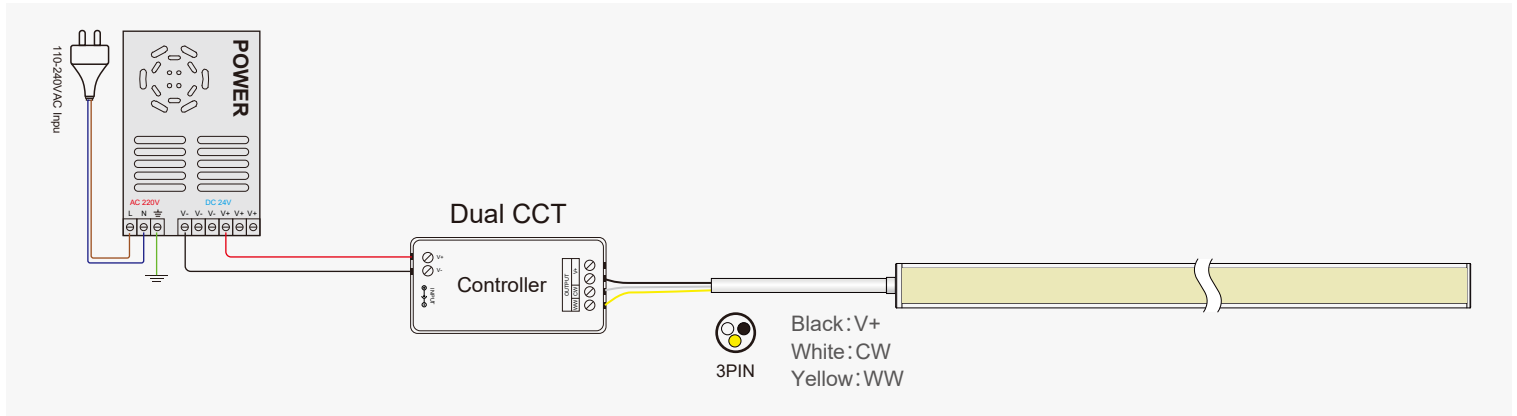
Model: FUT039S+C5
RGB+WW Controller: 5 Channel
DC12V/24V, 6A RGB+WW controller,
RF remote with finger touch ring.

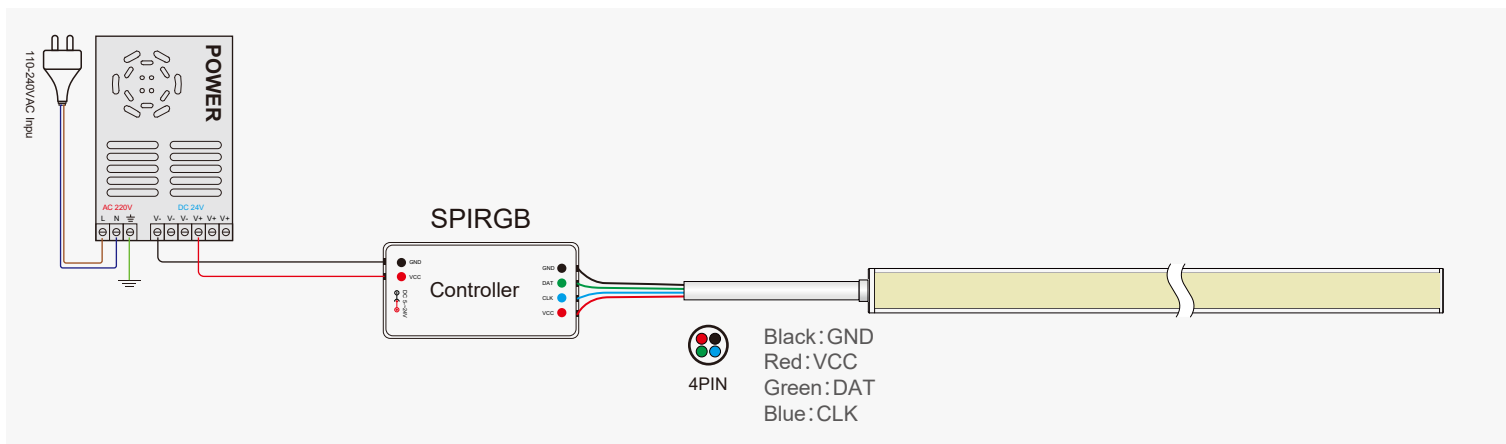


Model: SP105E
RGB+IC Controller
DC12V/24V
Bluetooth APP Control

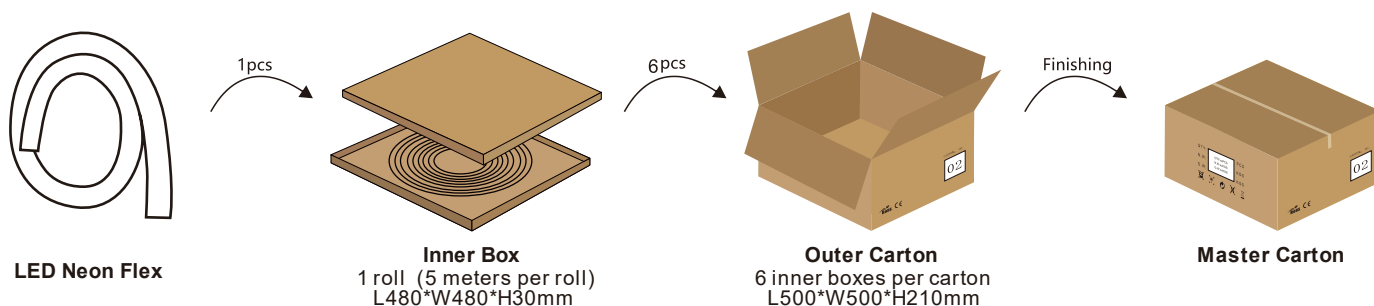
Product Wiring Schematic



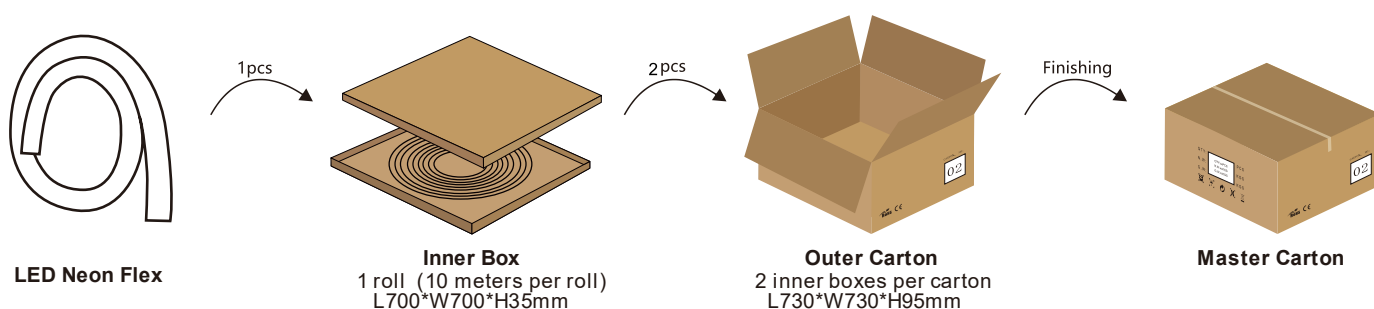




Package of neon strip (5M/Roll)



Package of neon strip (10M/Roll)



Package of neon strip (Custom Length)

