

10mm Mini Track

SUR-MINI-TR Series



Product Specification



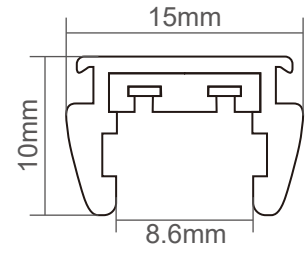
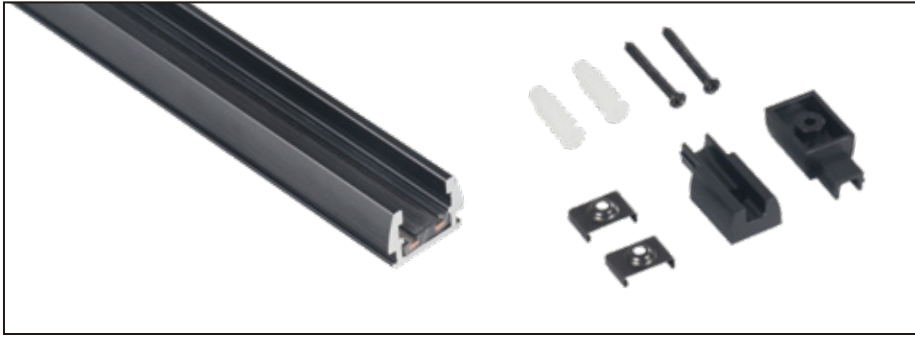
[Product Accessories Information]

Picture	Model Number	Description	Note
	MINI-TR01S	Surface processing: Spraying surface 2-Conductor Pure Copper Busbar Size: L1000*W15*H10mm L2000*W15*H10mm	Surface-mounted with Clip-on Design
	MINI-TR01C	Surface processing: Spraying surface 2-Conductor Pure Copper Busbar Size: L1000*W35.2*H10mm L2000*W35.2*H10mm	Corner-mounted with Clip-on Design
	MINI-TR01R	Surface processing: Spraying surface 2-Conductor Pure Copper Busbar Size: L1000*W17.6*H10.1mm L2000*W17.6*H10.1mm	Recessed Installation
	MINI-TR-FL	Voltage: DC24V Power: 6W Size: L231.3*W11.8*H19.5mm CCT: 3000K/4000K/6000K Lumen: 250LM/260LM/255LM	Flood Light
	MINI-TR-GL (3W)	Voltage: DC24V Power: 3W Size: L117.3*W11.8*H19.5mm CCT: 3000K/4000K/6000K Lumen: 190LM/200LM/195LM Beam Angle: 15°/24°/36°	Grille Light
	MINI-TR-GL (6W)	Voltage: DC24V Power: 6W Size: L231.3*W11.8*H19.5mm CCT: 3000K/4000K/6000K Lumen: 380LM/400LM/395LM Beam Angle: 15°/24°/36°	
	MINI-TR-FGL	Voltage: DC24V Power: 3W Size: L117*W11.8*H33mm CCT: 3000K/4000K/6000K Lumen: 170LM/180LM/175LM Beam Angle: 15°/24°/36°	Fold Grille Light
	MINI-TR-SL	Voltage: DC24V Power: 0.8W Size: Φ18*40mm CCT: 3000K/4000K/6000K Lumen: 57LM/60LM/59LM Beam Angle: 15°/24°/36°	Spot Light
	MINI-TR-SDL	Voltage: DC24V Power: 1.6W Size: Φ15x29mm CCT: 3000K/4000K/6000K Lumen: 125LM/132LM/130LM Beam Angle: 15°/24°/36°	Spot Double Light

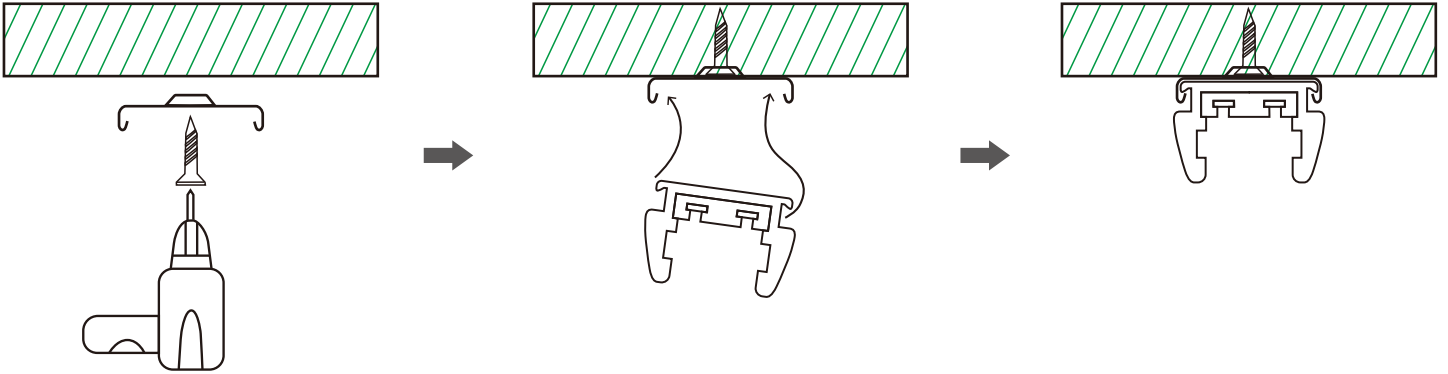
[Product Accessories Information]

Picture	Model Number	Description	Note
	MINI-TR-BSL	Voltage: DC24V Power: 3W Size: $\Phi 30 \times 65$ mm CCT: 3000K/4000K/6000K Lumen: 242LM/255LM/251LM Beam Angle: 15°/24°/36°	Big Spot Light
	MINI-TR-CSL	Voltage: DC24V Power: 3W Size: L79*W20*H87mm CCT: 3000K/4000K/6000K Lumen: 263LM/277LM/273LM Beam Angle: 15°/24°/36°	Circle Spot Light
	MINI-TR-POWER	Voltage: DC24V Size: $\Phi 74 \times H35.5$ mm Watt: 80W	Integral Power Source
	MINI-TR02	Input Conductive Module Connector	power input cable
	MINI-TR02LW	Vertical Conductive Module Cable Connector	L Shape Connector with Wire
	MINI-TR02I	Straight-Through Conductive Module Connector	I-Shaped Connector
	MINI-TR02L	Corner Conductive Module Connector	L-Shaped Connector
	MINI-TR02T	Three-Way Conductive Module Connector	T-Shaped Connector
	MINI-TR02X	Four-Way Conductive Module Connector	X-Shaped Connector

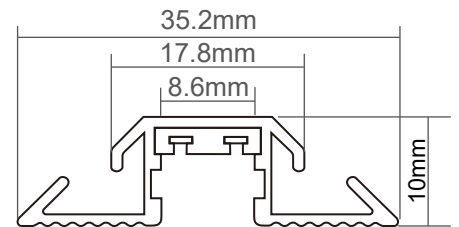
【MINI-TR01S】



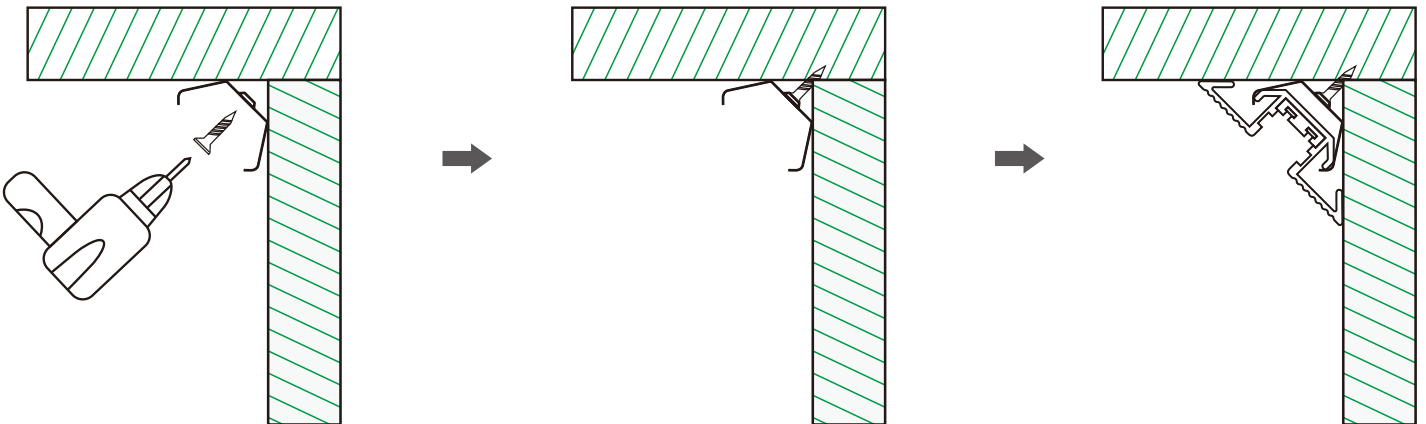
How to install



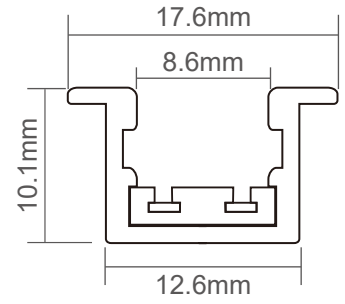
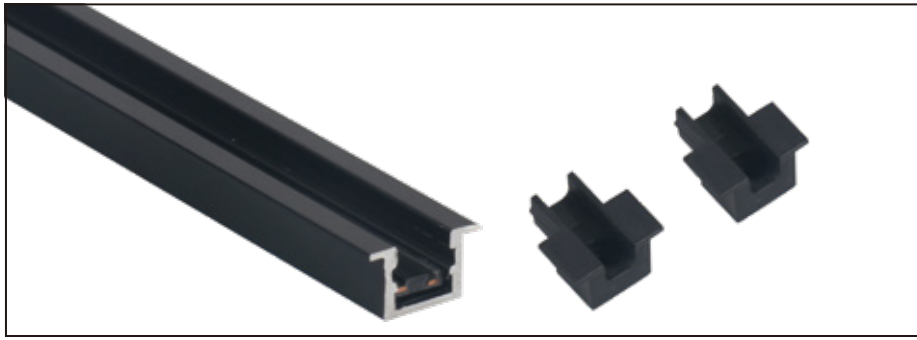
【MINI-TR01C】



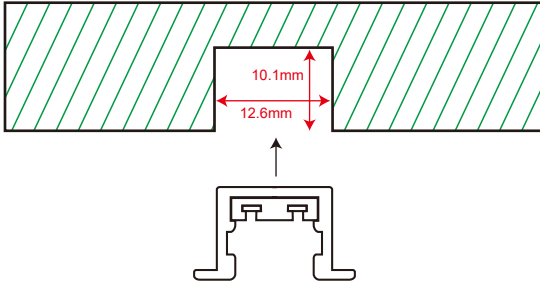
How to install



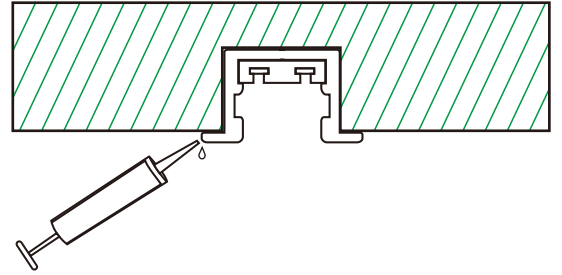
【MINI-TR01R】



How to install

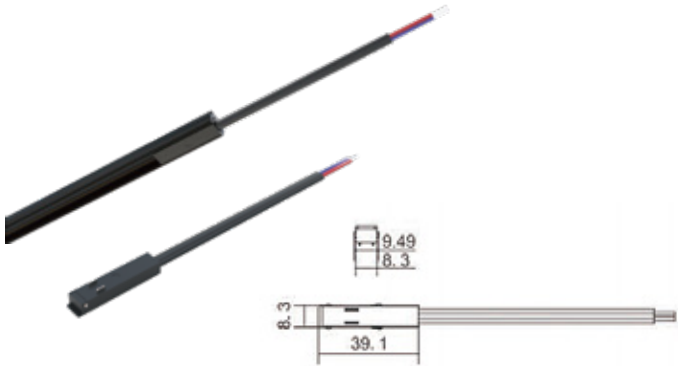


Cut a groove at the installation location, with a width of 12.6mm and a depth of 10.1mm.



Apply adhesive around the aluminum to secure it.

【MINI-TR02】



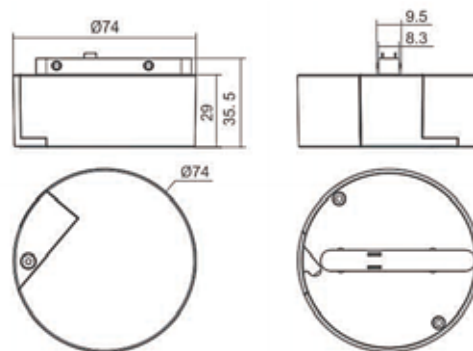
Unit:mm

【MINI-TR02LW】



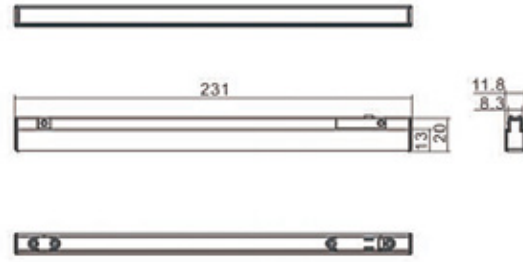
Unit:mm

【MINI-TR-POWER】



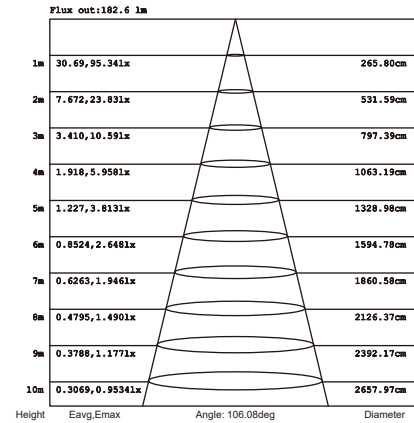
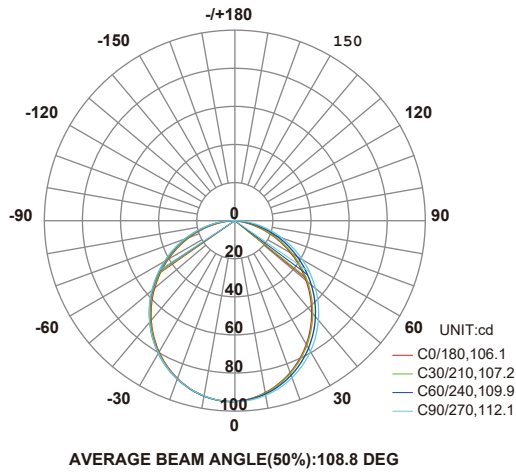
Unit:mm

【MINI-TR-FL】



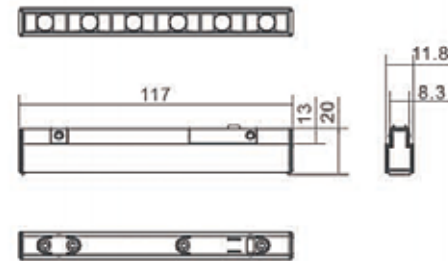
Unit:mm

Optics



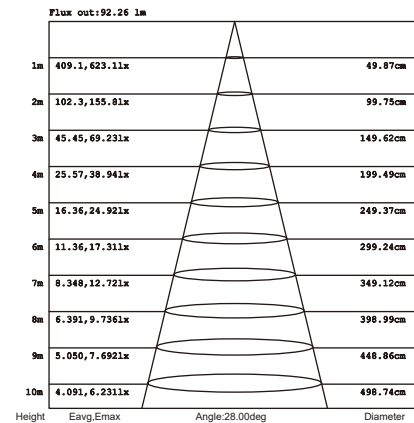
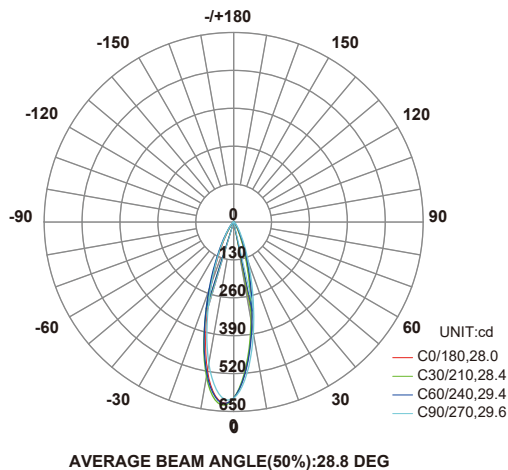
Note: The Curves indicate the illuminated area and the average illumination when the luminaire is at different distance.

【MINI-TR-GL (3W)】



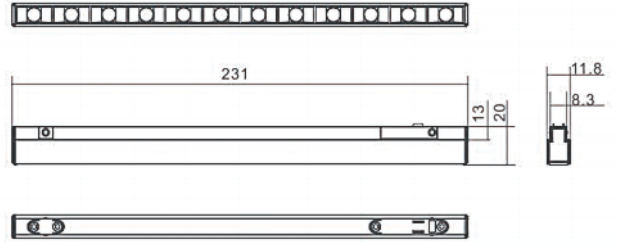
Unit:mm

Optics



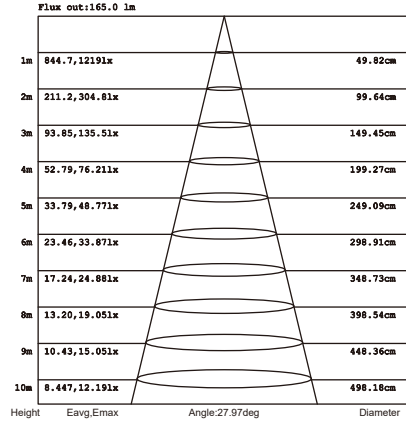
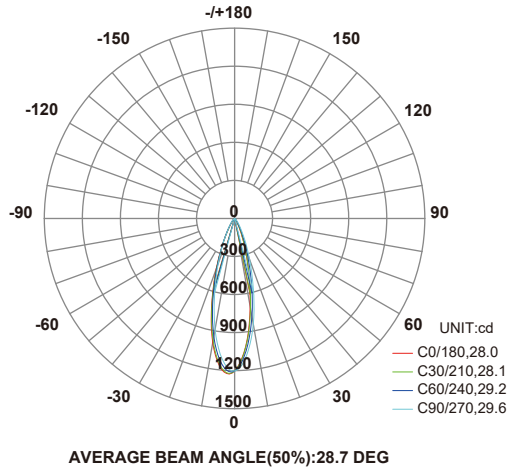
Note: The Curves indicate the illuminated area and the average illumination when the luminaire is at different distance.

【MINI-TR-GL (6W)】

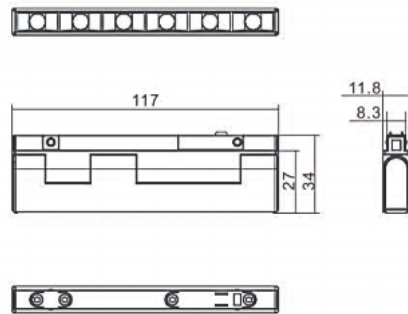


Unit:mm

Optics

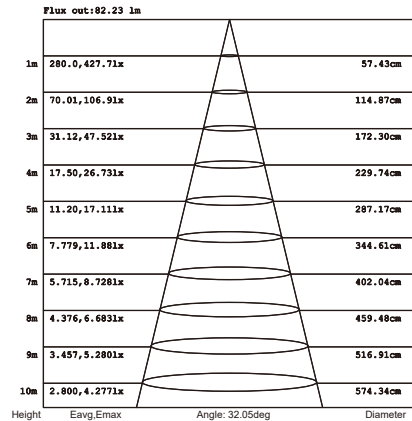
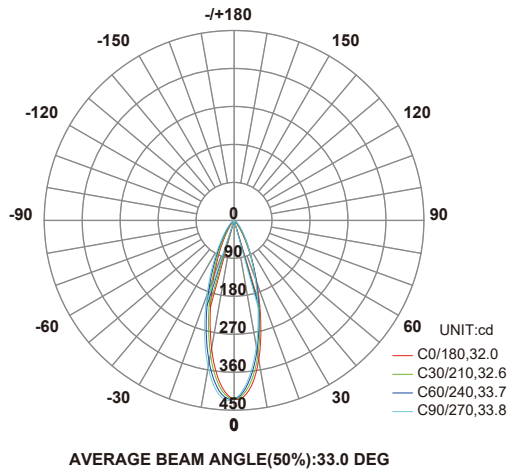


【MINI-TR-FGL】

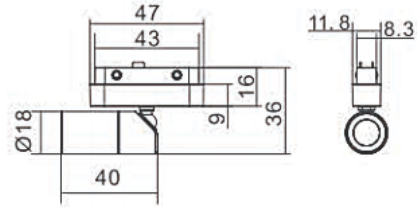


Unit:mm

Optics

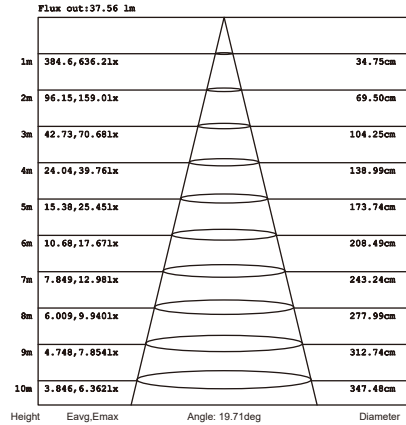
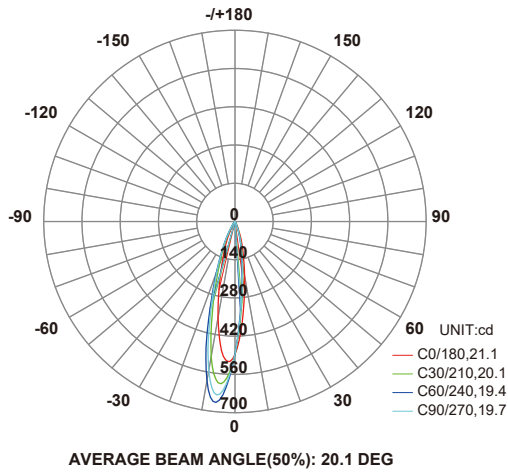


【MINI-TR-SL】



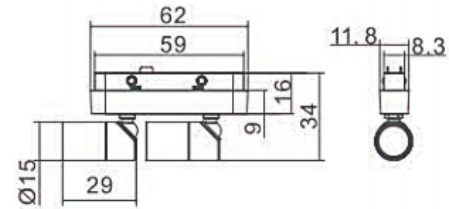
Unit:mm

Optics



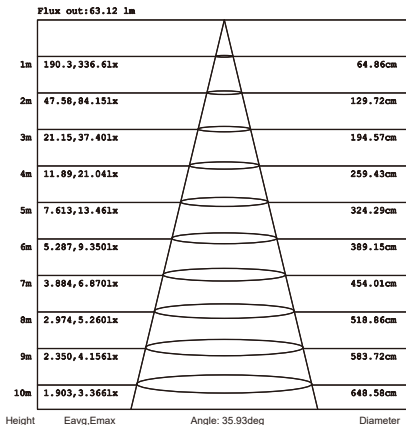
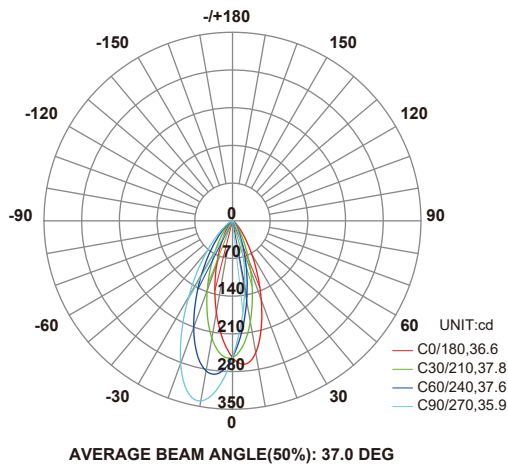
Note: The Curves indicate the illuminated area and the average illumination when the luminaire is at different distance.

【MINI-TR-SDL】



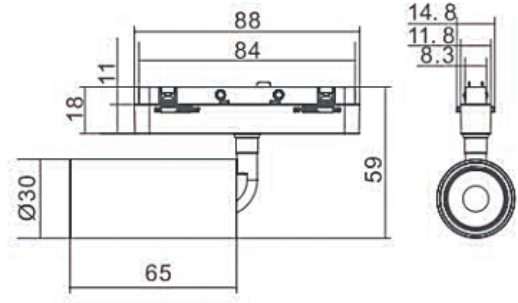
Unit:mm

Optics



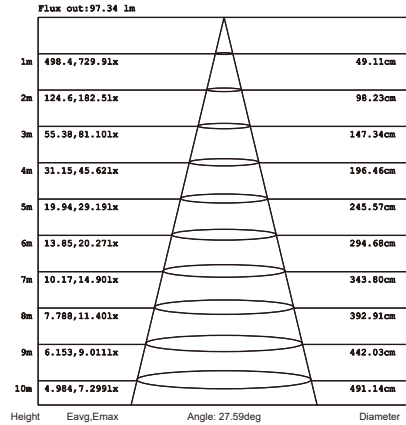
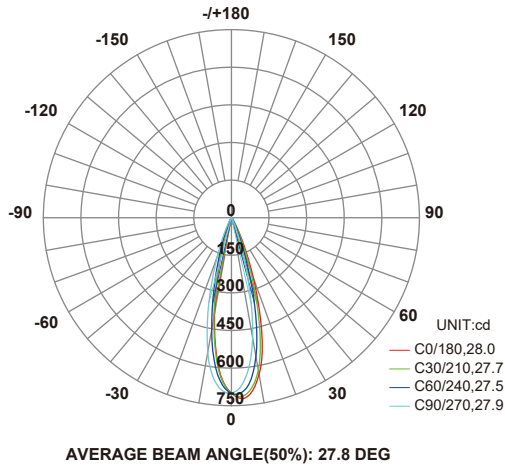
Note: The Curves indicate the illuminated area and the average illumination when the luminaire is at different distance.

【MINI-TR-BSL】



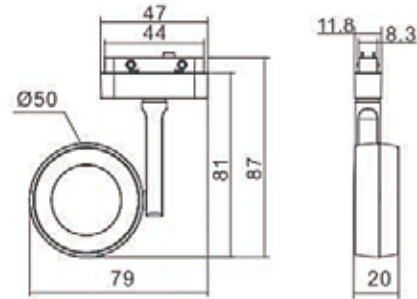
Unit:mm

Optics



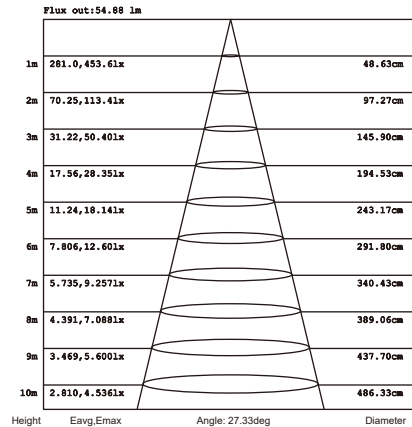
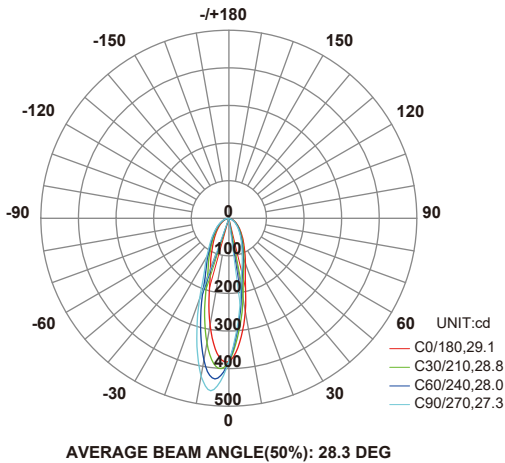
Note: The Curves indicate the illuminated area and the average illumination when the luminaire is at different distance.

【MINI-TR-CSL】



Unit:mm

Optics

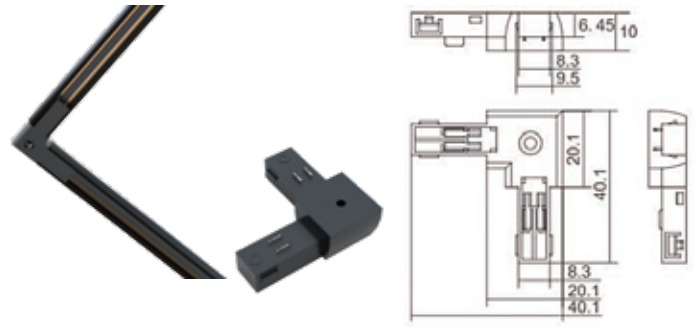


Note: The Curves indicate the illuminated area and the average illumination when the luminaire is at different distance.

【MINI-TR02I】

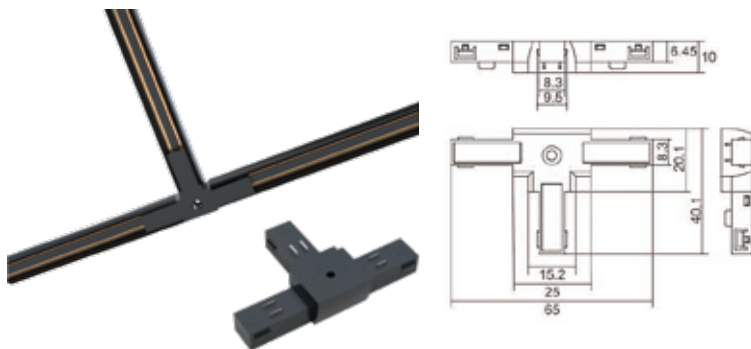


【MINI-TR02L】

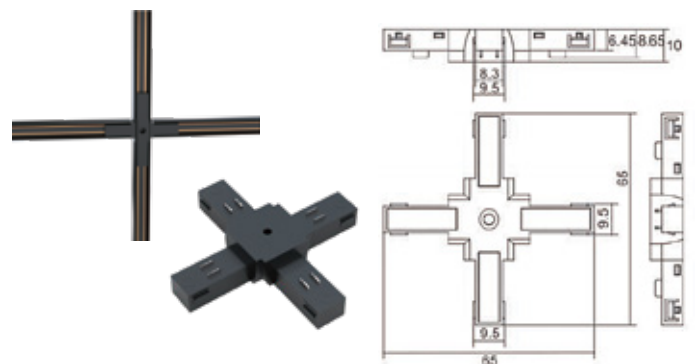


Unit:mm

【MINI-TR02T】



【MINI-TR02X】



Unit:mm

【Attentions】

1. Non-professionals are prohibited from installing, disassembling and repairing the product.
2. Avoid scratching, distortion and irregular bending of the product during installation; otherwise it may cause irreparable damage to the product.
3. Please use professional cutting tools when cutting
4. Do not use any acid or alkaline adhesive to fix products
5. The product is only suitable for indoor dry places, can not be used in outdoor, seaside or wet environment.